

Compression pin terminals

Flood-Seal® insulated compression pin terminals

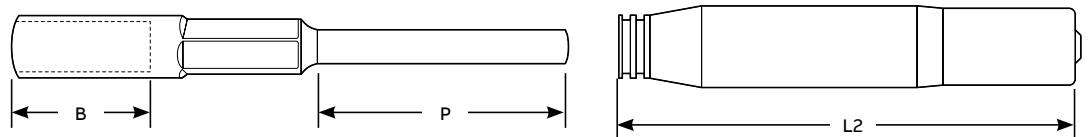


- Fabricated from pure electrolytic aluminum and softdrawn, tinned copper wire to provide the high strength and conductivity of aluminum and the flexibility of copper
- Flood-Seal covers provided to ensure a watertight seal on the pin as well as around the aluminum cable insertion; also rated up to 600 V
- Oxide inhibitor prevents oxidation
- All pin terminals marked with die references for easy identification

Flood-Seal insulated compression pin terminals

Cat. no.	Conductor size (AWG or kcmil)			Installing dies	P (in.)	B (in.)
	Alum. str.	ACSR	Solid Cu pin			
RU 5 U 4	#4	#4	#4	TU, 52, BG, 243, 5/8, 8A	2	1 ⁵ / ₁₆
RU 5 U 2	#2	#2	#4	TU, 52, BG, 243, 5/8, 8A	2	1 ⁵ / ₁₆
RU 5 U 10	1/0	1/0	#2	TU, 52, BG, 243, 5/8, 8A	2½	1 ⁵ / ₁₆
RG 5 U 10	1/0	1/0	#2	5/8-1, 297, 245, TW-TY, 5/8 GOLD	2½	1¾
RG 5 U 20	2/0	2/0	1/0	5/8-1, 297, 245, TW-TY, 5/8 GOLD	2½	1¾
RX 5 U 30	3/0	3/0	1/0	TX, 76, 249, 840, 11A	3	1 ⁷ / ₈
RX 5 U 40	4/0	4/0	2/0	TX, 76, 249, 840, 11A	3	1 ⁷ / ₈
RX 5 U 336	300-350	336.4 (18/1)	4/0	TX, 76, 249, 840, 11A	4	1 ⁷ / ₈

Diagrams



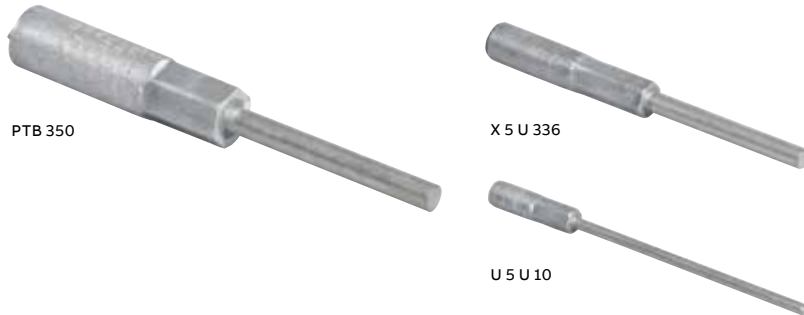
Flood-Seal insulators only

Cat. no.	Conductor size (AWG or kcmil)		L2 (in.)
	Alum. str.	ACSR	
RU 5	#4-1/0	#4-1/0	3 ¹³ / ₁₆
RG 5	1/0 & 2/0	1/0 & 2/0	5 ¹³ / ₁₆
RX 5	3/0-336.4	3/0-336.4	6 ⁷ / ₁₆

Note: For special die requirements, additional pin lengths and offset pin Fig.s, please consult your ABB representative.
For other wire barrel diameters suitable for non-listed dies, please consult your ABB representative.

Compression pin terminals

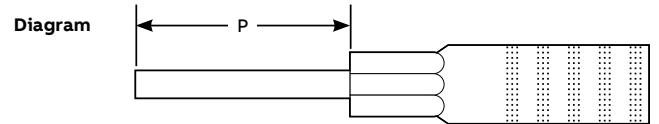
Aluminum compression pin terminals – Q 5, U 5, X 5 and PT Series



- Connect aluminum and ACSR to copper-alloy equipment clamps, eliminating cold-flow problems of aluminum conductor in copper clamps
- Annealed, tin-plated copper pin ensures high conductivity and bends easily to aid in cable training
- Oxide inhibitor and metal sealant prevent oxidation and protect pin/body from moisture intrusion
- All pin terminals marked with wire size, installing dies and compression locations for easy identification

Q 5, U 5 and X 5 Series

Cat. no.	Conductor size (AWG or kcmil)		ACSR	Installing dies	Solid Cu pin	P (in.)
	Aluminum Sol.	Aluminum Str.				
Q 5 U 8	#6	#8	–	½, 163, TQ, 6A*	4 (0.204)	2
Q 5 U 6	#4	#5 & #6	#6	½, 163, TQ, 6A*	4 (0.204)	2
Q 5 U 4	#2	#3 & #4	#4	½, 163, TQ, 6A*	4 (0.204)	2
Q 5 U 2	–	#1 & #2	#2	½, 163, TQ, 6A*	4 (0.204)	2
U 5 U 8	#6	#8	–	½, 163, TQ, 6A*	4 (0.204)	2
U 5 U 6	#4	#5 & #6	#6	⅝, 52, BG, TU, 8A*	4 (0.204)	2
U 5 U 4	#2	#3 & #4	#4	⅝, 52, BG, TU, 8A*	4 (0.204)	2
U 5 U 2	–	#1 & #2	#2	⅝, 52, BG, TU, 8A*	4 (0.204)	2
U 5 U 10	–	1/0	1/0	⅝, 52, BG, TU, 8A*	2 (0.257)	2½
X 5 U 10	–	1/0	1/0	840, WK840, 249, TX, 11A*	2 (0.257)	2½
X 5 U 20	–	2/0	2/0	840, WK840, 249, TX, 11A*	1/0 (0.325)	2½
X 5 U 30	–	3/0	3/0	840, WK840, 249, TX, 11A*	1/0 (0.325)	3
X 5 U 40	–	4/0	4/0	840, WK840, 249, TX, 11A*	2/0 (0.365)	3
X 5 U 266	–	250–266.8	266.8	840, WK840, 249, TX, 11A*	3/0 (0.410)	3½
X 5 U 366	–	300–350	336.4 (18/1)	840, WK840, 249, TX, 11A*	4/0 (0.460)	4



* When using EE1 dies, space compressions ¼" apart.

PT Series

Cat. no.	Conductor size (kcmil)		ACSR	Installing dies	Solid Cu pin	P (in.)
	Alum. str.	Alum. str.				
PTB 300	266.8 & 300		266.8 (18/1)	96, 472, 705, 1½-1	0.460	4
PTB 350	336.4 & 350		266.8 (26/7), 336.4 (18/1)	96, 472, 705, 1½-1	0.460	4
PTB 400	397.7 & 400		336.4 (26/7), 397.5 (18/1)	96, 472, 705, 1½-1	0.460	4
PTM 500	447 & 500 & 600 CPT		397.5, 477 (26/7, 18/1)	106A, 300, 426, 1½/16, 317	0.562	5
PTM 556	500 & 556.5		477 (26/7), 556.5 (18/1)	106A, 300, 426, 1½/16, 317	0.562	5
PTL 636	600 & 636		556.5, 636 (36/1, 26/7)	140H, 301, 724, 1½	0.562	6
PTL 750	700 & 750		636 (26/7)	140H, 301, 724, 1½	0.750	6
PTL 800	795 & 800		715.5 (26/7), 795 (36/1)	140H, 301, 724, 1½	0.750	6
PTL 1000	954 & 1000		795 (26.7), 954 (45/7)	140H, 301, 724, 1½	0.875	6

Note: For additional pin lengths and offset pin Fig.s, please consult your ABB representative.

Compression pin terminals

Aluminum compression pin terminals – SAPT series



SAPT 4/0-206

For use with high voltage termination kits.

- Made from aluminum for high strength and conductivity
- Annealed, tin-plated copper pin ensures high conductivity and bends easily to aid in cable training
- Oxide inhibitor prevents oxidation
- Metal sealant protects pin/body from moisture intrusion
- All pin terminals marked with wire size, installing dies and compression locations for easy identification

SAPT series

Cat. no.	Conductor size (AWG or kcmil)					Pin dia.	Pin length (in.)	Dies	Barrel insertion (in.)
	ACSR	Str.	Compr.	Compt.	Sol.				
SAPT 6-26	-	#6	-	-	-	2 (0.257)	6	TU, 52, BG, 243, 5/8	1 3/4
SAPT 4-26	-	#4	-	-	#2	2 (0.257)	6	TU, 52, BG, 243, 5/8	1 3/4
SAPT 2-24	#2	#2	-	-	1/0	2 (0.257)	4	BG, 5/8, 620H, 9/16	1 3/4
SAPT 2-12	-	#2	-	-	-	2 (0.257)	12	TU, 52, BG, 243, 5/8	1 3/4
SAPT 2-26	-	#1, #2	-	-	1/0	2 (0.257)	6	TU, 52, BG, 243, 5/8	1 3/4
SAPT 2-1017	-	#1, #2	-	-	1/0	1/0 (0.325)	17	TU, 52, BG, 243, 5/8	1 3/4
SAPT 2-26-840	-	#1, #2	-	-	1/0	2 (0.257)	6	TX, 76, 249, 840, 11A	1 3/4
SAPT 1-12E	-	#1	#1	1/0	1/0	2 (0.257)	12	TU, 52, BG, 243, 5/8	1 3/4
SAPT 1S-26	-	#2	#1	-	-	2 (0.257)	6	TU, 52, BG, 243, 5/8	1 3/4
SAPT 1/0-10	-	1/0	-	-	-	2 (0.257)	10	TU, 52, BG, 243, 5/8	1 3/4
SAPT 1/0-1017 CC	1/0	1/0	-	-	-	1/0 (0.325)	17	TU, 52, BG, 243, 5/8	1 3/4
SAPT 1/0-106	1/0	1/0	-	-	-	1/0 (0.325)	6	TU, 52, BG, 243, 5/8	1 3/4
SAPT 1/0-12	-	1/0	-	-	-	2 (0.257)	12	TU, 52, BG, 243, 5/8	1 3/4
SAPT 1/0-26	-	1/0	-	-	-	2 (0.257)	6	TU, 52, BG, 243, 5/8	1 3/4
SAPT 1/0-26-840	-	1/0	-	-	-	2 (0.257)	6	TX, 76, 249, 840, 11A	1 3/4
SAPT 3/0-106	-	3/0	-	-	-	1/0 (0.325)	6	TX, 76, 249, 840, 11A	2 1/4
SAPT 4/0-1018 CC	-	4/0	-	-	-	1/0 (0.325)	18	TX, 76, 249, 840, 11A	2 1/2
SAPT 4/0-106	-	4/0	-	-	-	1/0 (0.325)	6	TX, 76, 249, 840, 11A	2 1/2
SAPT 4/0-2012	-	4/0	-	-	-	2/0 (0.365)	12	TX, 76, 249, 840, 11A	2 1/2
SAPT 4/0-206	-	4/0	-	-	-	2/0 (0.365)	6	TX, 76, 249, 840, 11A	2 1/2
SAPT 4/0-26	-	4/0	-	-	-	2 (0.257)	6	TX, 76, 249, 840, 11A	2 1/2
SAPT 350-6	266.8 (26/7), 336.4 (18/1)	336.4-350	-	-	-	(0.562)	6	1 1/8-1, 96, 299, 655, 316, 13A, 321, 94H	2 1/2

Note: For additional pin lengths and offset pin Fig.s, please consult your ABB representative.

Compression pin terminals

Shrouded compression pin terminals – Common die series



PTSK 4/0

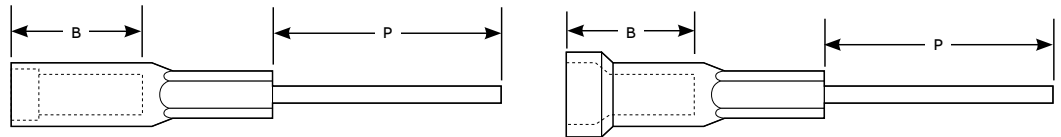
Rainshield protection for insulated cable installed in exposed areas.

- Made from pure electrolytic aluminum for high strength and high conductivity
- Tin-plated copper pin ensures high conductivity and bends easily to aid in cable training
- Prefilled with oxide inhibitor to prevent oxidation
- Metal sealant protects pin/body from moisture intrusion
- All pin terminals marked with die references for easy identification

Shrouded compression pin terminals – Common die series

Cat. no.	Conductor size (AWG or kcmil)		Solid Cu pin	Shroud I.D.	Installing dies	P (in.)	B (in.)	Fig.
	Alum. Stranded	ACSR						
PTSG 6	#6	#6	0.204	0.400	52, TU, BG, 8A, 5/8, 243	2	1 7/8	2
PTSG 4	#4	#4	0.204	0.450	52, TU, BG, 8A, 5/8, 243	2	1 7/8	2
PTSG 21	#2-#1	#2-#1	0.258	0.604	52, TU, BG, 8A, 5/8, 243	2	1 7/8	1
PTSG 1/0	1/0	1/0	0.258	0.640	52, TU, BG, 8A, 5/8, 243	2 1/4	1 7/8	1
PTSK 1/0	1/0	1/0	0.258	0.640	840, 11A, 76, TX, 249	4	1 3/4	2
PTSK 2/0	2/0	2/0	0.324	0.750	840, 11A, 76, TX, 249	4	1 3/4	2
PTSK 3/0	3/0	3/0	0.324	0.750	840, 11A, 76, TX, 249	4	1 3/4	2
PTSK 4/0	4/0	4/0	0.364	0.750	840, 11A, 76, TX, 249	4	1 3/4	2
PTSB 350	336.4-350	266.6 (26/7), 366.4 (18/1)	0.460	0.937	1 1/8-1, 299, 655, 96, 13A	4	3 1/8	2
PTSL 636	600-636	556.5 (26/7), 636 (36/1)	0.562	1.125	1 1/2, 301, 724, 140H	6	3 3/8	2

Diagrams



* For special die requirements, please consult your ABB representative.
 Note: For additional pin lengths and offset pin Fig.s, please consult your ABB representative.