

## Max-Gard interconnection systems

30 A standard service



### Device ratings and polarizations

Pole	Wire	Conductor placement	Voltage 60 Hz	Cat. no. ▼	Standard bushing I.D. <sup>†</sup> (in.)	Cat. no. ▼	Standard bushing I.D. <sup>†</sup> (in.)
Product type				Male plug <sup>**</sup>		Female connector	
2	3		277	DS3104MP000	7/8	DF3104FP000	7/8
2	3		125	DS3107MP000	7/8	DF3107FP000	7/8
2	3		480	DS3204MP000	7/8	DF3204FP000	7/8
2	3		250	DS3207MP000	7/8	DF3207FP000	7/8
2	3		600	DS3214MP000	7/8	DF3214FP000	7/8
2	3		208	DS3216MP000	7/8	DF3216FP000	7/8
3	4		277/480	DS3304MP000	1	DF3304FP000	1
3	4		125/250	DS3307MP000	1	DF3307FP000	1
3	4		120/208	DS3316MP000	1	DF3316FP000	1
3	4		3Ø 480	DS3404MP000	1	DF3404FP000	1
3	4		3Ø 250	DS3407MP000	1	DF3407FP000	1
3	4		3Ø 600	DS3414MP000	1	DF3414FP000	1
3	4		3Ø 208	DS3416MP000	1	DF3416FP000	1
3	4		3Ø 440	DS3421MP000	1	DF3421FP000	1
4	5		3ØY 277/480	DS3504MP000	1 3/16	DF3504FP000	1 3/16
4	5		3ØY 347/600	DS3514MP000	1 3/16	DF3514FP000	1 3/16
4	5		3ØY 120/208	DS3516MP000	1 3/16	DF3516FP000	1 3/16
4	5		3ØY 250/440	DS3521MP000	1 3/16	DF3521FP000	1 3/16

Maximum 600 V AC or 250 V DC.

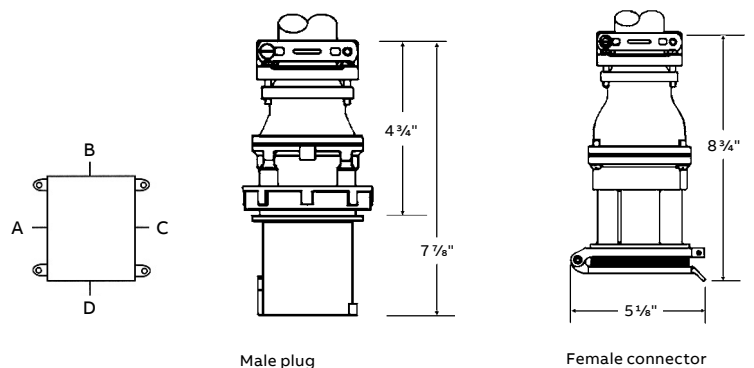
\*\* If receptacle is desired with a straight adapter instead of standard angle adapter, substitute "S" for the "A" in the catalog number of the receptacle with angle adapter or adapter and box.

<sup>†</sup> Standard cable bushings shown; see page 32 for other sizes available at no extra cost if specified on order.

<sup>\*\*</sup> Always furnished with screw collar. We recommend cup cap with male plug; order catalog number DS3CC.

▼ Control contacts for plug/receptacles: Use "K" where noted. Ex: DS3104MP00K. For adapters, junction boxes and accessories, see pages 32–35.

### Diagrams

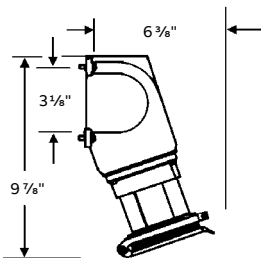




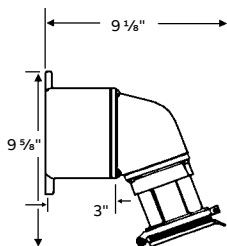
Pole	Wire	Cat. no. ▼ Female receptacle with angle enclosure	Cat. no. ▼ Female receptacle with angle adapter** and junction box	Cat. no. ▼ Female receptacle with angle adapter**	Cat. no. ▼ Female receptacle
2	3	DF3104FRØØ	DF3104FRABØ	DF3104FRAØØ	DF3104FRØØØ
2	3	DF3107FRØØ	DF3107FRABØ	DF3107FRAØØ	DF3107FRØØØ
2	3	DF3204FRØØ	DF3204FRABØ	DF3204FRAØØ	DF3204FRØØØ
2	3	DF3207FRØØ	DF3207FRABØ	DF3207FRAØØ	DF3207FRØØØ
2	3	DF3214FRØØ	DF3214FRABØ	DF3214FRAØØ	DF3214FRØØØ
2	3	DF3216FRØØ	DF3216FRABØ	DF3216FRAØØ	DF3216FRØØØ
3	4	DF3304FRØØ	DF3304FRABØ	DF3304FRAØØ	DF3304FRØØØ
3	4	DF3307FRØØ	DF3307FRABØ	DF3307FRAØØ	DF3307FRØØØ
3	4	DF3316FRØØ	DF3316FRABØ	DF3316FRAØØ	DF3316FRØØØ
3	4	DF3404FRØØ	DF3404FRABØ	DF3404FRAØØ	DF3404FRØØØ
3	4	DF3407FRØØ	DF3407FRABØ	DF3407FRAØØ	DF3407FRØØØ
3	4	DF3414FRØØ	DF3414FRABØ	DF3414FRAØØ	DF3414FRØØØ
3	4	DF3416FRØØ	DF3416FRABØ	DF3416FRAØØ	DF3416FRØØØ
3	4	DF3421FRØØ	DF3421MRABØ	DF3421FRAØØ	DF3421FRØØØ
4	5	DF3504FRØØ	DF3504FRABØ	DF3504FRAØØ	DF3504FRØØØ
4	5	DF3514FRØØ	DF3514FRABØ	DF3514FRAØØ	DF3514FRØØØ
4	5	DF3516FRØØ	DF3516FRABØ	DF3516FRAØØ	DF3516FRØØØ
4	5	DF3521FRØØ	DF3521FRABØ	DF3521FRAØØ	DF3521FRØØØ

Maximum lug wire 8 AWG 7-strand or flexible, cable entrance 0.187" diameter.  
 Receptacles furnished with flap cap also have screw thread to accept male collar on plug.  
 Catalog numbers shown are for flap cap receptacles; change "DF" to "DS" for ordering screw cap.  
 Boldface figures are for voltage assignment. For different ratings, see page 38.  
 Outlet furnished at location "B" unless otherwise specified. 1" NPT.  
 For full polarization, see page 38.

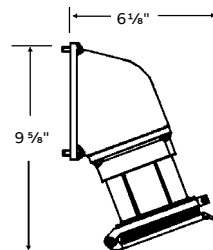
**Diagrams**



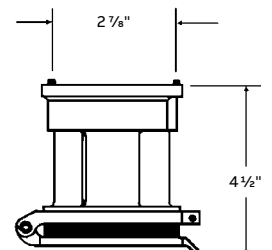
Female receptacle  
with angle enclosure



Female receptacle  
with angle adapter  
and junction box



Female receptacle  
with angle adapter



Female receptacle

# Max-Gard interconnection systems

30 A reverse service



Device ratings and polarizations

Pole	Wire	Conductor placement	Voltage 60 Hz	Cat. no. ▼	Standard bushing I.D. <sup>†</sup> (in.)	Cat. no. ▼	Standard bushing I.D. <sup>†</sup> (in.)
Product type				Female connector		Male plug <sup>††</sup>	
2	3		277	DF3104FP000	7/8	DS3104MP000	7/8
2	3		125	DF3107FP000	7/8	DS3107MP000	7/8
2	3		480	DF3204FP000	7/8	DS3204MP000	7/8
2	3		250	DF3207FP000	7/8	DS3207MP000	7/8
2	3		600	DF3214FP000	7/8	DS3214MP000	7/8
2	3		208	DF3216FP000	7/8	DS3216MP000	7/8
3	4		277/480	DF3304FP000	1	DS3304MP000	1
3	4		125/250	DF3307FP000	1	DS3307MP000	1
3	4		120/208	DF3316FP000	1	DS3316MP000	1
3	4		3Ø 480	DF3404FP000	1	DS3404MP000	1
3	4		3Ø 250	DF3407FP000	1	DS3407MP000	1
3	4		3Ø 600	DF3414FP000	1	DS3414MP000	1
3	4		3Ø 208	DF3416FP000	1	DS3416MP000	1
3	4		3Ø 440	DF3421FP000	1	DS3421MP000	1
4	5		3ØY 277/480	DF3504FP000	1 3/16	DS3504MP000	1 3/16
4	5		3ØY 347/600	DF3514FP000	1 3/16	DS3514MP000	1 3/16
4	5		3ØY 120/208	DF3516FP000	1 3/16	DS3516MP000	1 3/16
4	5		3ØY 250/440	DF3521FP000	1 3/16	DS3521MP000	1 3/16

Maximum 600 V AC or 250 V DC.

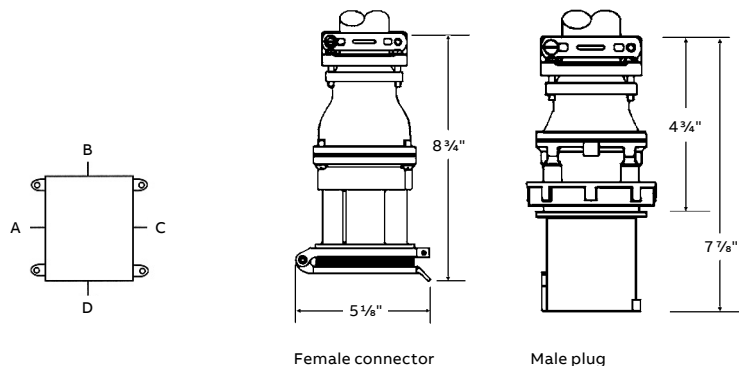
\*\* If receptacle is desired with a straight adapter instead of standard angle adapter, substitute "S" for the "A" in the catalog number of the receptacle with angle adapter or adapter and box.

† Standard cable bushings shown; see page 32 for other sizes available at no extra cost if specified on order.

†† Always furnished with screw collar. We recommend cup cap with male plug; order catalog number DS3CC.

▼ Control contacts for plug/receptacles: Use "K" where noted. Ex: DS3104MR00K. For adapters, junction boxes and accessories, see pages 32–35.

## Diagrams

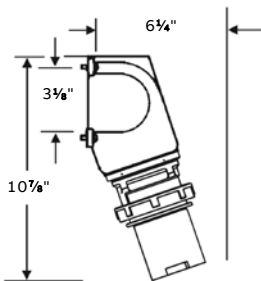




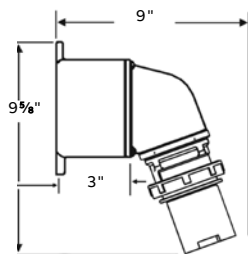
Pole	Wire	Cat. no. ▼ Male inlet with angle enclosure	Cat. no. ▼ Male inlet with angle adapter** and junction box	Cat. no. ▼ Male inlet with angle adapter**	Cat. no. ▼ Male Inlet††
2	3	DS3104MR0E0	DS3104MRAB0	DS3104MRA00	DS3104MR000
2	3	DS3107MR0E0	DS3107MRAB0	DS3107MRA00	DS3107MR000
2	3	DS3204MR0E0	DS3204MRAB0	DS3204MRA00	DS3204MR000
2	3	DS3207MR0E0	DS3207MRAB0	DS3207MRA00	DS3207MR000
2	3	DS3214MR0E0	DS3214MRAB0	DS3214MRA00	DS3214MR000
2	3	DS3216MR0E0	DS3216MRAB0	DS3216MRA00	DS3216MR000
3	4	DS3304MR0E0	DS3304MRAB0	DS3304MRA00	DS3304MR000
3	4	DS3307MR0E0	DS3307MRAB0	DS3307MRA00	DS3307MR000
3	4	DS3316MR0E0	DS3316MRAB0	DS3316MRA00	DS3316MR000
3	4	DS3404MR0E0	DS3404MRAB0	DS3404MRA00	DS3404MR000
3	4	DS3407MR0E0	DS3407MRAB0	DS3407MRA00	DS3407MR000
3	4	DS3414MR0E0	DS3414MRAB0	DS3414MRA00	DS3414MR000
3	4	DS3416MR0E0	DS3416MRAB0	DS3416MRA00	DS3416MR000
3	4	DS3421MR0E0	DS3421MRAB0	DS3421MRA00	DS3421MR000
4	5	DS3504MR0E0	DS3504MRAB0	DS3504MRA00	DS3504MR000
4	5	DS3514MR0E0	DS3514MRAB0	DS3514MRA00	DS3514MR000
4	5	DS3516MR0E0	DS3516MRAB0	DS3516MRA00	DS3516MR000
4	5	DS3521MR0E0	DS3521MRAB0	DS3521MRA00	DS3521MR000

Maximum lug wire 4 AWG 7-strand or flexible, cable entrance 0.187" diameter.  
 Receptacles furnished with flap cap also have screw thread to accept male collar on plug.  
 Catalog numbers shown are for flap cap receptacles; change "DF" to "DS" for ordering screw cap.  
 Boldface figures are for voltage assignment. For different ratings, see page 38.  
 Outlet furnished at location "B" unless otherwise specified. 1" NPT.  
 For full polarization, see page 38.

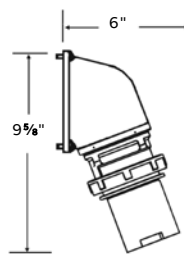
**Diagrams**



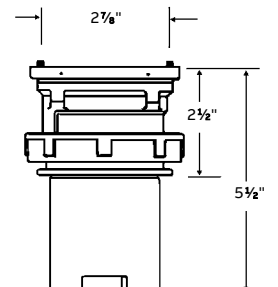
Male inlet with angle enclosure



Male inlet with angle adapter and junction box



Male inlet with angle adapter



Male inlet