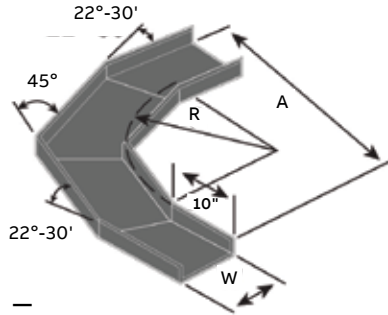


Nonmetallic - Channel tray fittings

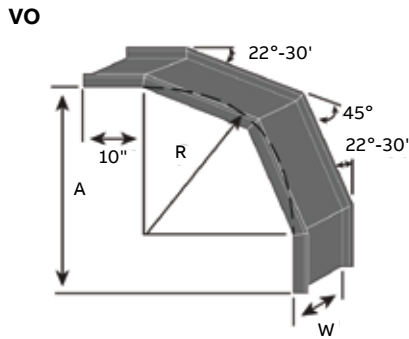
Horizontal bends and vertical bend fittings



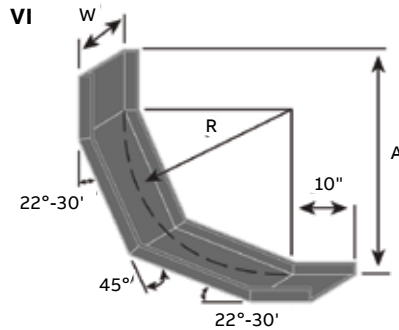
Horizontal bends

- One pair of splice plates included
- For vinylester resin, use “V” instead of “P” in catalog number
- Example: FCCNV-04-90HB12

Cat. No.	Material	Angle	Side rail width (in.)	Side rail width (mm)
NM-FCCNP-03-90HB12	Polyester / Vinylester resin	90°	3	76.2
NM-FCCNP-04-90HB12	Polyester / Vinylester resin	90°	4	101.6
NM-FCCNP-06-90HB12	Polyester / Vinylester resin	90°	6	152.4
NM-FCCNP-08-90HB12	Polyester / Vinylester resin	90°	8	203.2
NM-FCCNP-03-45HB12	Polyester / Vinylester resin	45°	4	76.2
NM-FCCNP-04-45HB12	Polyester / Vinylester resin	45°	4	101.6
NM-FCCNP-06-45HB12	Polyester / Vinylester resin	45°	6	152.4
NM-FCCNP-08-45HB12	Polyester / Vinylester resin	45°	8	203.2



Vertical bends



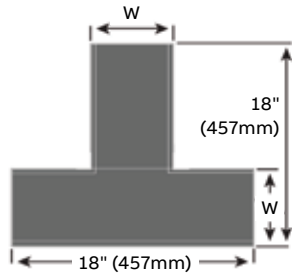
- One pair of splice plates included
- For vinylester resin, use “V” instead of “P” in catalog number
- Example: FCCNV-04-90VI12

Cat. No.	Material	Angle	Side rail width (in.)	Side rail width (mm)
NM-FCCNP-03-90VI12*	Polyester / Vinylester resin	90°	3	76.2
NM-FCCNP-04-90VI12*	Polyester / Vinylester resin	90°	4	101.6
NM-FCCNP-06-90VI12*	Polyester / Vinylester resin	90°	6	152.4
NM-FCCNP-08-90VI12*	Polyester / Vinylester resin	90°	8	203.2
NM-FCCNP-03-45VI12*	Polyester / Vinylester resin	45°	4	76.2
NM-FCCNP-04-45VI12*	Polyester / Vinylester resin	45°	4	101.6
NM-FCCNP-06-45VI12*	Polyester / Vinylester resin	45°	6	152.4
NM-FCCNP-08-45VI12*	Polyester / Vinylester resin	45°	8	203.2

* For vertical outside bends, replace VI with VO

Nonmetallic - Channel tray fittings

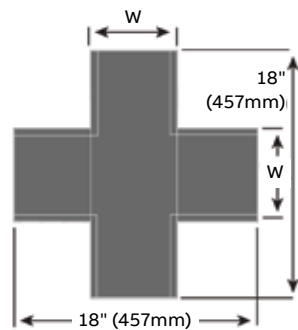
Horizontal tee and cross fittings



Horizontal tees

Cat. No.	Material	Side rail width (in.)	Side rail width (mm)
NM-FCCNP-03-HT12	Polyester / Vinylester resin	3	76.2
NM-FCCNP-04-HT12	Polyester / Vinylester resin	4	101.6
NM-FCCNP-06-HT12	Polyester / Vinylester resin	6	152.4
NM-FCCNP-08-HT12	Polyester / Vinylester resin	8	203.2

- Two pairs of splice plates included
- For vinylester resin, use “V” instead of “P” in catalog number
- Example: FCCNV-04-HT12



Horizontal crosses

Cat. No.	Material	Side rail height (in.)	Side rail height (mm)
NM-FCCNP-03-HX12	Polyester / Vinylester resin	3	76.2
NM-FCCNP-04-HX12	Polyester / Vinylester resin	4	101.6
NM-FCCNP-06-HX12	Polyester / Vinylester resin	6	152.4
NM-FCCNP-08-HX12	Polyester / Vinylester resin	8	203.2

- Three pairs of splice plates included
- For vinylester resin, use “V” instead of “P” in catalog number
- Example: FCCNV-04-HX12