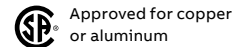



## CO2 Series

200 A 120/240 V; combination with or without breaker

### Product specifications

- Conductor range (line and load): 6 AWG- 250KCMIL
- Aluminum tunnel type connectors for both load and line sides
- For overhead, underground or combination overhead/underground services
- With factory-installed neutral conductor
- Bottom compartment has provision for 2 pole circuit breaker (max 200 A) 10 kA breakers (22 kA breaker where indicated HI)
- Suitable for 120/240 V single-phase service entrance
- Factory installed adjustable bracket for field installation of Siemens type QJ(L), QJH(L), QR(L) and QRH(L), SQD type QBL, Eaton type ED
- Factory installed 2 pole circuit breaker, 10 kA up to 22 kA interrupting capacity an ABB or Siemens
- Supplied with screw type rings
- Weatherproof Type 3R enclosure



	Cat. no.	Type	Description	Dimensions (in.)			Weight each	
				H	W	D	lb	kg
<b>4 Jaw</b>								
	CO2-200	Overhead	Provision for 1 X 2 pole 10 kA rated circuit breaker	32 <sup>3</sup> / <sub>4</sub>	11 <sup>13</sup> / <sub>16</sub>	5 <sup>7</sup> / <sub>16</sub>	28	12.7
	CO2-125	Overhead	Comes complete with ABB type A2A 2 pole 125 A 10 kA rated circuit breaker	32 <sup>3</sup> / <sub>4</sub>	11 <sup>13</sup> / <sub>16</sub>	5 <sup>7</sup> / <sub>16</sub>	30	13.6
	CO2-125-5V	Overhead	Comes complete with ABB type A2A 2 pole 125 A 10 kA rated circuit breaker, complete with 5th jaw	32 <sup>3</sup> / <sub>4</sub>	11 <sup>13</sup> / <sub>16</sub>	5 <sup>7</sup> / <sub>16</sub>	30	13.6
	CO2-125HI	Overhead	Comes complete with ABB type A2N 2 pole 125 A 22 kA rated circuit breaker	32 <sup>3</sup> / <sub>4</sub>	11 <sup>13</sup> / <sub>16</sub>	5 <sup>7</sup> / <sub>16</sub>	30	13.6
	CO2-150	Overhead	Comes complete with ABB type A2A 2 pole 150 A 10 kA rated circuit breaker	32 <sup>3</sup> / <sub>4</sub>	11 <sup>13</sup> / <sub>16</sub>	5 <sup>7</sup> / <sub>16</sub>	30	13.6
	CO2-150-5V	Overhead	Comes complete with ABB type A2A 2 pole 150 A 10 kA rated circuit breaker, complete with 5th jaw	32 <sup>3</sup> / <sub>4</sub>	11 <sup>13</sup> / <sub>16</sub>	5 <sup>7</sup> / <sub>16</sub>	30	13.6
	CO2-150HI	Overhead	Comes complete with ABB type A2N 2 pole 150 A 22 kA rated circuit breaker	32 <sup>3</sup> / <sub>4</sub>	11 <sup>13</sup> / <sub>16</sub>	5 <sup>7</sup> / <sub>16</sub>	30	13.6
	CO2-200	Overhead	Comes complete with ABB type A2A 2 pole 200 A 10 kA rated circuit breaker	32 <sup>3</sup> / <sub>4</sub>	11 <sup>13</sup> / <sub>16</sub>	5 <sup>7</sup> / <sub>16</sub>	30	13.6
	CO2-200-5V	Overhead	Comes complete with ABB type A2A 2 pole 200 A 10 kA rated circuit breaker, complete with 5th jaw	32 <sup>3</sup> / <sub>4</sub>	11 <sup>13</sup> / <sub>16</sub>	5 <sup>7</sup> / <sub>16</sub>	30	13.6
	CO2-200HI	Overhead	Comes complete with ABB type A2N 2 pole 200 A 22 kA rated circuit breaker	32 <sup>3</sup> / <sub>4</sub>	11 <sup>13</sup> / <sub>16</sub>	5 <sup>7</sup> / <sub>16</sub>	30	13.6
	CO2-G	Overhead/ Underground	Provision for 2 pole 200 A 10 kA rated circuit breaker	32 <sup>3</sup> / <sub>4</sub>	11 <sup>13</sup> / <sub>16</sub>	5 <sup>7</sup> / <sub>16</sub>	28	12.7
	CO2-HI-G	Overhead/ Underground	Provision for 2 pole 200 A 22 kA rated circuit breaker	32 <sup>3</sup> / <sub>4</sub>	11 <sup>13</sup> / <sub>16</sub>	5 <sup>7</sup> / <sub>16</sub>	28	12.7
	CO2-100G	Overhead/ Underground	Comes complete with ABB type A1A 2 pole 100 A 10 kA rated circuit breaker	32 <sup>3</sup> / <sub>4</sub>	11 <sup>13</sup> / <sub>16</sub>	5 <sup>7</sup> / <sub>16</sub>	30	13.6
	CO2-100HI-G	Overhead/ Underground	Comes complete with ABB type A1N 2 pole 100 A 22 kA rated circuit breaker	32 <sup>3</sup> / <sub>4</sub>	11 <sup>13</sup> / <sub>16</sub>	5 <sup>7</sup> / <sub>16</sub>	30	13.6
	CO2-125G	Overhead/ Underground	Comes complete with ABB type A2A 2 pole 125 A 10 kA rated circuit breaker	32 <sup>3</sup> / <sub>4</sub>	11 <sup>13</sup> / <sub>16</sub>	5 <sup>7</sup> / <sub>16</sub>	30	13.6
	CO2-125HI-G	Overhead/ Underground	Comes complete with ABB type A2N 2 pole 125 A 22 kA rated circuit breaker	32 <sup>3</sup> / <sub>4</sub>	11 <sup>13</sup> / <sub>16</sub>	5 <sup>7</sup> / <sub>16</sub>	30	13.6
	CO2-150G	Overhead/ Underground	Comes complete with ABB type A2A 2 pole 150 A 10 kA rated circuit breaker	32 <sup>3</sup> / <sub>4</sub>	11 <sup>13</sup> / <sub>16</sub>	5 <sup>7</sup> / <sub>16</sub>	30	13.6
	CO2-150HI-G	Overhead/ Underground	Comes complete with ABB type A2N 2 pole 150 A 22 kA rated circuit breaker	32 <sup>3</sup> / <sub>4</sub>	11 <sup>13</sup> / <sub>16</sub>	5 <sup>7</sup> / <sub>16</sub>	30	13.6
	CO2-200G	Overhead/ Underground	Comes complete with ABB type A2A 2 pole 200 A 10 kA rated circuit breaker	32 <sup>3</sup> / <sub>4</sub>	11 <sup>13</sup> / <sub>16</sub>	5 <sup>7</sup> / <sub>16</sub>	32.6	13.6
	CO2-200HI-G	Overhead/ Underground	Comes complete with ABB type A2N 2 pole 200 A 22 kA rated circuit breaker	32 <sup>3</sup> / <sub>4</sub>	11 <sup>13</sup> / <sub>16</sub>	5 <sup>7</sup> / <sub>16</sub>	30	13.6

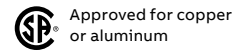
## CO2 Series

200 A 120/240 V; combination with or without breaker

### For underground service only

- "G" : All units come with gutter
- "GBC" : Conductor range (line and load): 6 AWG- 250KCMIL

- "UG" : Line side conductor range: 1/2" studs to accomodate 350 kcmil compression lugs (max.)  
Approved for 10KA ABB SACE A1A/A2A or 25KA ABB SACE A1N/A2N 2

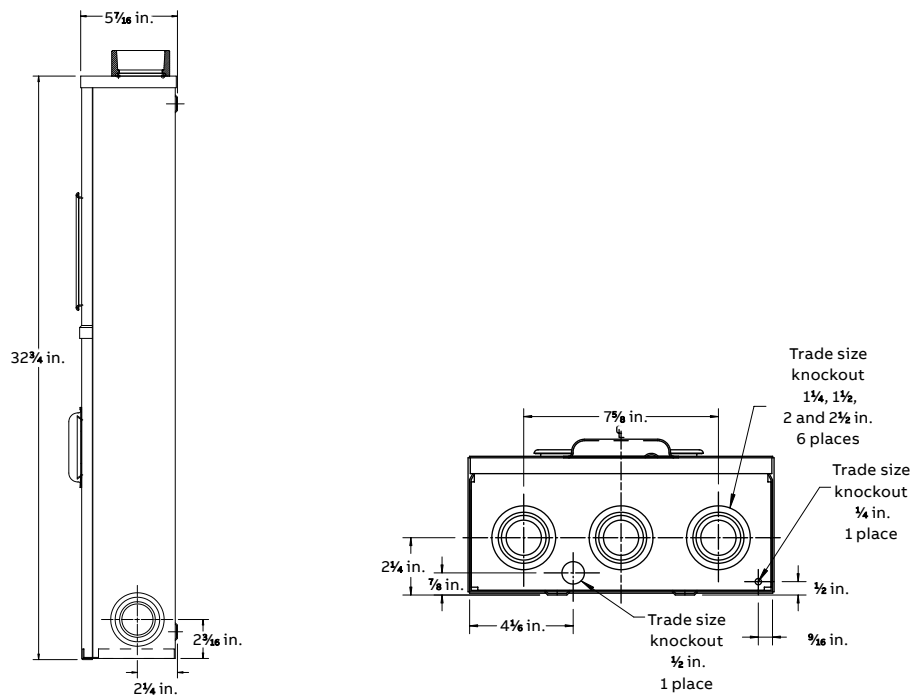


	Cat. no.	Type	Description	Dimensions (in.)			Weight each	
				H	W	D	lb	kg
<b>4 Jaw</b>								
CO2-200UG	CO2-125UG	Underground	Comes complete with 2 pole 125 A 10 kA rated circuit breaker and studs on the line side	36 <sup>5</sup> / <sub>32</sub>	12	5 <sup>17</sup> / <sub>32</sub>	34	15.4
	CO2-125HI-GBC	Underground	Comes complete with ABB type A2N 2 pole 125 A 22 kA rated circuit breaker	32 <sup>3</sup> / <sub>4</sub>	11 <sup>13</sup> / <sub>16</sub>	5 <sup>7</sup> / <sub>16</sub>	30	13.6
	CO2-125HI-UG	Underground	Comes complete with 2 pole 125 A 22 kA rated circuit breaker and studs on the line side	36 <sup>5</sup> / <sub>32</sub>	12	5 <sup>17</sup> / <sub>32</sub>	34	15.4
	CO2-150UG	Underground	Comes complete with 2 pole 150 A 10 kA rated circuit breaker and studs on the line side	36 <sup>5</sup> / <sub>32</sub>	12	5 <sup>17</sup> / <sub>32</sub>	34	15.4
	CO2-150HI-UG	Underground	Comes complete with 2 pole 150 A 22 kA rated circuit breaker and studs on the line side	36 <sup>5</sup> / <sub>32</sub>	12	5 <sup>17</sup> / <sub>32</sub>	34	15.4
	CO2-200UG	Underground	Comes complete with 2 pole 200 A 10 kA rated circuit breaker and studs on the line side	36 <sup>5</sup> / <sub>32</sub>	12	5 <sup>17</sup> / <sub>32</sub>	34	15.4
	CO2-200HI-GBC	Underground	Comes complete with ABB type A2N 2 pole 200 A 22 kA rated circuit breaker	32 <sup>3</sup> / <sub>4</sub>	11 <sup>13</sup> / <sub>16</sub>	5 <sup>7</sup> / <sub>16</sub>	30	13.6
	CO2-200HI-UG	Underground	Comes complete with 2 pole 200 A 22 kA rated circuit breaker and studs on the line side	36 <sup>5</sup> / <sub>32</sub>	12	5 <sup>17</sup> / <sub>32</sub>	34	15.4



### Diagrams

CO2 Series  
Overhead

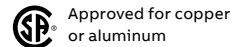



## CO2M Series

200 A – Single-phase 120/240 V; combination with or without breaker and splitter

### Product specifications

- Conductor range CO2M, CO2MS, CO2MS-2446, CO2MSU (line and load): 6 AWG–250 kcmil
- Conductor range CO2MSB-200, (line side and load neutral): 6 AWG-250 kcmil, (load side and neutral load): 6 AWG-300 kcmil
- For combination overhead/underground service only
- Cutler Hammer (Eaton) breaker to be field-installed
- With CO2FB braid connector (also available for field installation, cat. no. CO2FB-KIT) supplied with Siemens or ABB breaker



	Cat. no.	Type	Description	Dimensions (in.)			Weight each	
				H	W	D	lb	kg
CO2MS 	<b>4 Jaw</b>							
	CO2MS	Combination overhead/underground	Provision for field-installed Cutler Hammer (ED) 200 A 2 pole 10 kA rated circuit breaker, provision for pole mounting (splitter included)	39 <sup>3</sup> / <sub>16</sub>	12	5 <sup>7</sup> / <sub>16</sub>	42	19
	CO2MS-2446	Combination overhead/underground	Provision for field-installed Cutler Hammer (ED) 200 A 2 pole 10 kA rated circuit breaker, provision for pole mounting, comes with 2446 connector (splitter included), Fortis Alberta approved	39 <sup>3</sup> / <sub>16</sub>	12	5 <sup>7</sup> / <sub>16</sub>	44	19.5
	CO2MSB-200	Combination overhead/underground	Comes complete with ABB type A2A 2 pole 200 A 10 kA rated circuit breaker, comes with neutral bar (splitter included)	40 <sup>3</sup> / <sub>16</sub>	12	5 <sup>7</sup> / <sub>16</sub>	47	21.3
	CO2MSU	Underground	Provision for field-installed Cutler Hammer (ED) 200 A 2 pole 10 kA rated circuit breaker, pedestal type for padmount applications (splitter included)	60 <sup>5</sup> / <sub>32</sub>	11 <sup>7</sup> / <sub>16</sub>	5 <sup>27</sup> / <sub>64</sub>	59	26.8

## CO2M Series

200 A – Single-phase 120/240 V; combination with or without breaker and splitter



Cat. no. CO2FB-KIT

### Diagrams

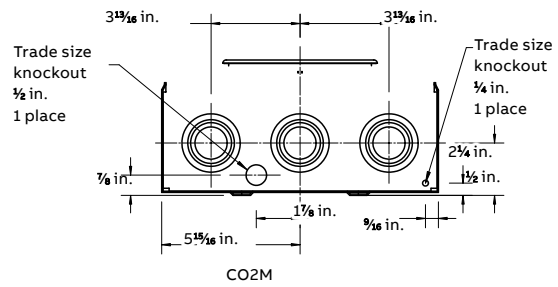
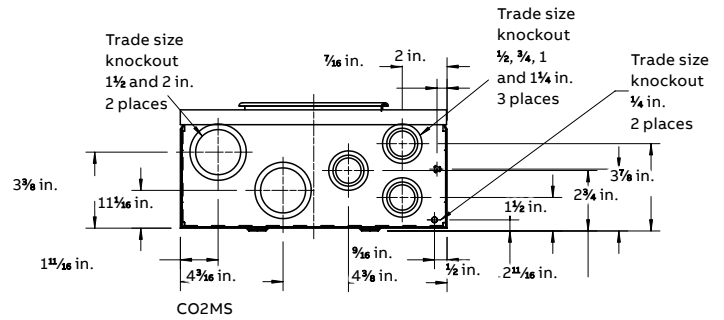
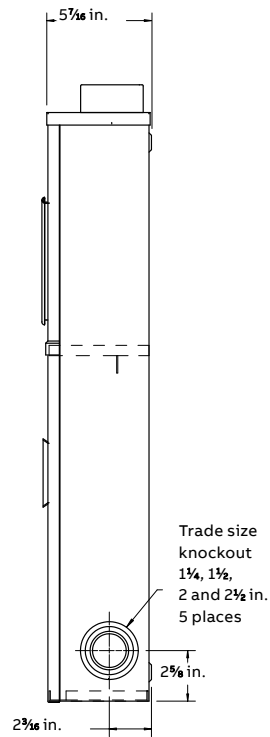


Diagram as reference only. Please contact your regional inside sales representative for other catalogue numbers and drawings pertaining to this series.