



Aluminum powder coat finish cover shown open with single-gang duplex plate and Keystone Jack plate installed.



Brass powder coat finish cover shown closed.

Steel City[®]

NEW!

668-S Ultra Shallow Floor Box

The new 668-S Ultra Shallow floor box from Thomas & Betts provides a high capacity power and data solution for shallow concrete floors. The low profile, 4-gang box is constructed of galvanized stamped steel. Removable voltage dividers allow users to customize wiring configurations by feeding two or more adjacent compartments with a single conduit. Metallic covers with durable powder coat finish are designed to match any décor, while optional trim rings allow covers to be mounted completely flush with the floor in tile or wood floor applications.

- Low profile (2-1/2" height) for shallow concrete pours
- 4-gang recessed service for a high capacity, aesthetic floor box solution
- Stamped steel box construction
- Removable voltage dividers between compartments allow a single conduit to feed 2 or more adjacent compartments
- Metallic covers feature durable powder coat paint to match any décor (aluminum, brass, black, brown and beige)
- Heavy duty cord door in the cover latches firmly in the open position to prevent damage to cables
- Optional tile trim allows flush mounting for tile and wood floor applications
- MopTite™ covers meet UL scrubwater exclusion requirements for carpet, tile and wood
- Largest cubic inch capacity of any shallow recessed 4-gang floor box
- Additional KO's (up to 2") on the bottom of the box enable installation flexibility
- Data panels are available to accommodate jacks from many manufacturers
- Custom device panels are available – contact your local Thomas & Betts Representative about this offering.

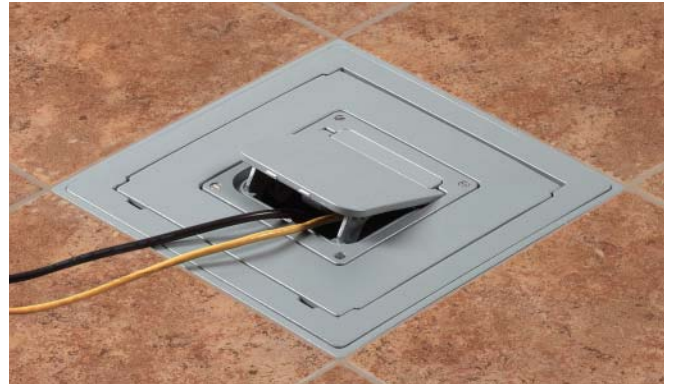
Material: Box – Galvanized Steel
Cover – Die-Cast Zinc

Listing:

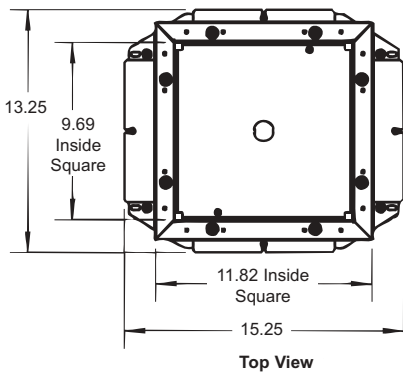




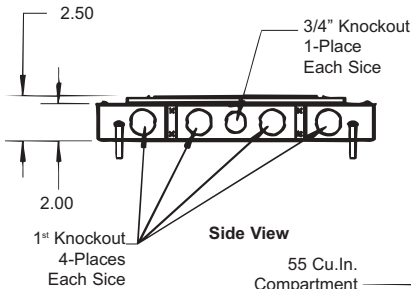
Standard mounting configuration: Flange on cover overlaps carpet, tile or wood floors.



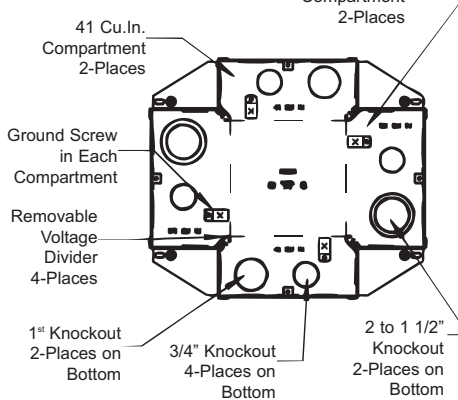
Flush mounting configuration: Optional trim ring allows cover to be mounted flush with tile or wood floor.



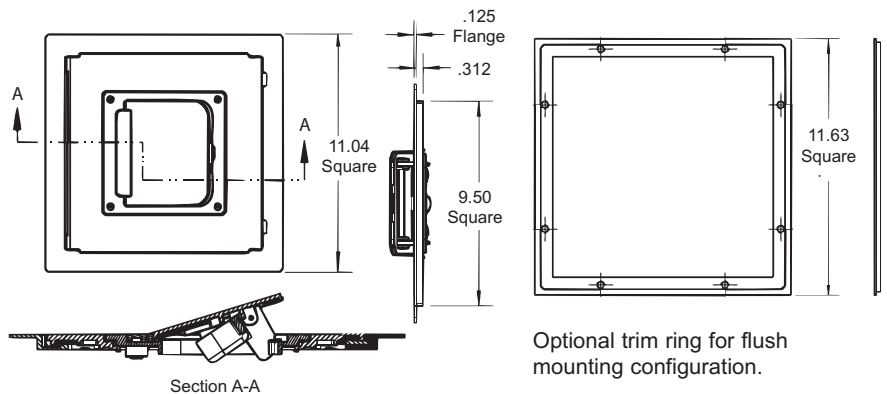
Top View



Side View



Top View - Compartment Layout
Not: Shown with Top Plate Removed



Optional trim ring for flush mounting configuration.

Steel City® 668-S Ultra Shallow Floor Box

Cat. Number	Description	Std. Pkg. Qty.	UPC Number
668-S	Ultra Shallow Recessed Floor Box	1	78599103825
668-CST-ALM	668-S Metal Cover - Aluminum Powder Coat*	1	78599103955
668-CST-BRS	668-S Metal Cover - Brass Powder Coat*	1	78599103956
668-CST-BLK	668-S Metal Cover - Black Powder Coat*	1	78599103952
668-CST-BRN	668-S Metal Cover - Brown Powder Coat*	1	78599103953
668-CST-BGE	668-S Metal Cover - Beige Powder Coat*	1	78599103954
668-S-1RP	668-S Single Gang Duplex Plate	4	78599103828
668-S-1G	668-S Single Gang GFCI Plate	4	78599103827
668-S-BP	668-S Blank Plate	4	78599103830
668-S-6RJ	668-S Data Plate - 6 Keystone Jacks	4	78599103829
668-S-6PAN	668-S Data Plate - 6 Panduit® Jacks	4	78599103862
668-S-6ORT	668-S Data Plate - 6 Ortonics® Jacks	4	78599103861
668-S-6AVA	668-S Data Plate - 6 Avaya® Jacks	4	78599103863
668-TRIM-ALM	668-S Trim Ring - Aluminum Powder Coat*	4	78599103960
668-TRIM-BRS	668-S Trim Ring - Brass Powder Coat*	4	78599103864
668-TRIM-BLK	668-S Trim Ring - Black Powder Coat*	4	78599103957
668-TRIM-BRN	668-S Trim Ring - Brown Powder Coat*	4	78599103958
668-TRIM-BGE	668-S Trim Ring - Beige Powder Coat*	4	78599103959

*Contact Technical Services for color samples.

Atlantic Region
Thomas & Betts Limited
106 Chain Lake Drive, Unit 2C
Halifax, Nova Scotia B3S 1A8
Tel.: (902) 450-1307
Toll Free: 1-877-862-4357
Fax: (902) 450-1309

Quebec Region
Thomas & Betts Limited
7900 Taschereau Boulevard
Building D, Suite 108
Brossard, Quebec J4X 1C2
Tel.: (450) 466-1102
Toll Free: 1-800-465-1399
Fax: (450) 466-1163

Ontario Region
Thomas & Betts Limited
2000 Argenta Road
Plaza 5, Suite 500
Mississauga, Ontario L5N 2R7
Tel.: (905) 858-1010
Toll Free: 1-877-291-7771
Fax: (905) 858-1080

Western Region
Thomas & Betts Limited
6531 - 148th Street, #1
Surrey, British Columbia V3S 3C5
Tel.: (604) 598-9811
Toll Free: 1-866-540-8220
Fax: (604) 598-9840

Thomas & Betts Limited
4836 Eleniak Road
Edmonton, Alberta T6B 2S1
Tel.: (780) 424-7092
Toll Free: 1-888-664-5666
Fax: (780) 424-7093
Toll Free: 1-866-424-4082