

new product



IPR-LEDNU SERIES

IP65 Linear LED Fixture

FEATURES

- IP65 Rated
- Field selectable color temperatures: 3500K (warm/neutral white), 4000K (neutral white) and 5000K (cool white)
- Field selectable lumen output: 5000 lumens (40 watts), 6000 lumens (45 watts) and 7000 lumens (50 watts)
- Polycarbonate lens and thermoplastic enclosure, vandal resistant and UV stabilized
- Stainless steel hardware
- Ceiling, surface or pendant mounting
- 0-10V dimming standard on all models
- 120VAC to 277VAC universal
- Certified for wet and damp locations (not suitable for use in car wash applications)
- Expected life of 187,000 hours (L70)
- Power factor > 0.90
- ROHS compliant
- Meets IEEE C.62.41-1991 input transient protection
- Optional occupancy sensor
- Optional emergency driver
- 5 year limited warranty on all electronics and housing

See warranty details at: www.tnb.ca/en/brands/ready-lite

TYPICAL SPECIFICATIONS

Supply and install **Ready-Lite® IPR-LEDNU Series** linear LED fixtures as specified.

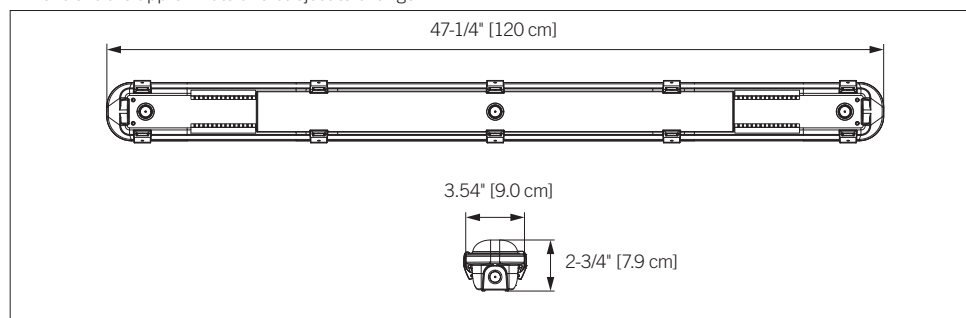
The luminaire shall operate in 120-277VAC and use a high efficiency electronic driver. The lens shall be constructed of UV- stabilized industrial grade vandal-resistant polycarbonate and the enclosure of thermoplastic. A durable formed gasket shall be provided between the enclosure and the lens and shall be designed specifically for hostile environments. A metal plate used to retain the reflector also serves to dissipate heat, therefore lengthening driver life.

The fixture shall have five year warranty.

The fixture shall be **Ready-Lite®** model: _____.

DIMENSIONS

Dimensions are approximate and subject to change.



ELECTRICAL DATA

SERIES	MEASUREMENTS	LOW LUMENS			MID LUMENS			HIGH LUMENS		
		3500K	4000K	5000K	3500K	4000K	5000K	3500K	4000K	5000K
IPR-LEDNU	Lumens	5157	5303	5181	6009	6198	6034	7295	7611	7381
	Watts	37	36	37	44	43	44	53	51	53
	Efficacy	138	146	139	135	144	136	138	149	140
	Input current (A)	120V= 0.31A 277V= 0.13A	120V= 0.30A 277V= 0.13A	120V= 0.31A 277V= 0.13A	120V= 0.37A 277V= 0.16A	120V= 0.36A 277V= 0.16A	120V= 0.37A 277V= 0.16A	120V= 0.44A 277V= 0.19A	120V= 0.43A 277V= 0.19A	120V= 0.44A 277V= 0.19A

ORDERING INFORMATION

SERIES	WATTAGE/LUMENS	OPTIONS
IPR-LEDNU	U= universal	-EM= 13.7W emergency LED driver -M= motion sensor

EXAMPLE: IPR-LEDNU

READY-LITE