

New product

EHZRL Series

Hazardous location remote fixture

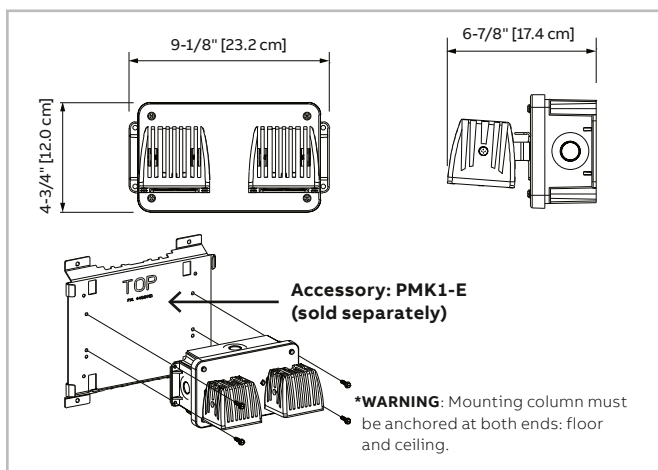


Features

- Evaluated to CSA C22.2 No.141-15 and No.137-M1981 for use in hazardous locations: Class I Division 2, Groups A, B, C and D; Class II Division 2, Groups F and G and Class III
- NEMA-4X protection grade against liquids and windblown dust
- Can be installed in wide temperature conditions: -40°C to 55°C (-40°F to 131°F)
- High-efficacy LED emergency heads outperform traditional 50W halogen lamps
- Innovative head design: four-LED and dual-driver provide illumination even in case of unexpected component failure
- Simple and easy to install on walls, columns or struts. For vertical installation on columns, use mounting bracket catalogue number: PMK1-E (sold separately). See warning in installation below
- 1 year limited warranty
- **Warranty details at: www.emergi-lite.ca**

Dimensions

Dimensions are approximate and subject to change.



Ordering information

Series	Number of heads	LED lamp type
EHZRL= high performance remote heads	1= single 2= double	L15W= 12V, 24V-15W
Example: EHZRL2L15W		PMK1-E= pole mounting bracket (sold separately)

Typical specifications

Supply and install **Emergi-Lite® EHZRL Series** remote emergency lighting fixtures. These remote fixtures will consist of either single or double lamp configurations. The housing shall be made of grey PVC designed for hazardous location Class I, Div. 2, Groups A, B, C and D; Class II, Div.2, Groups F and G and Class III applications . The remote fixture can easily be installed on walls, columns or struts. The heads shall be of die-cast aluminum and have a flat square lens made of UV stabilized clear polycarbonate. Each head shall include four (4) high efficacy LED and two independent drivers.

The remote fixture shall fully adjustable without tools, be NEMA-4X rated and be cUL listed to CSA C22.2 No.141-15 and No.137-M1981 standards.

The remote unit shall be **Emergi-Lite®** model: _____.

Classification for hazardous locations

Type of emergency heads	Classification	Temp. code TA= 55°C
L15	Class I Division 2 Groups A, B, C and D Class II Division 2 Groups F and G; Class III	T3C T5

Photometry performance

Whether installed indoors or outdoors, the **EHZRL Series** of LED emergency lights deliver a stable and consistent illumination on the path of egress for a wide range of mounting heights.

LED lamp	Power (W)	Total lumens	Outperforms the incandescent lamps
L15	15W	1320	50W MR16-IR halogen

Industrial environment: wall mounted equipment, reflectances: 10/10/10; 6-ft wide illumination path. Illumination as per NBC; Average: 1fc; Min: 0.1fc

Mounting height	Spacing centre-to-centre (feet) Lamp L15/15W, 1300LM
10 ft	140
15 ft	135
20 ft	130
25 ft	120
30 ft	110

