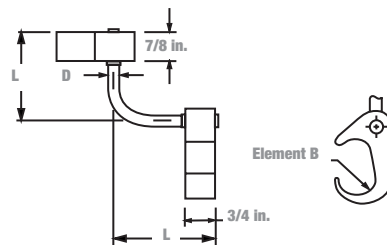
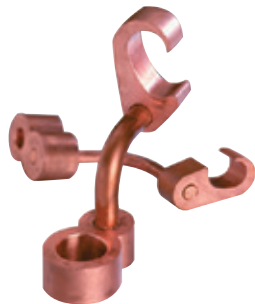


## Ground Rod to Grid Connectors and Ground Grid Connectors

### Figure 6 to 8 Compression Ground Rod to Grid Connectors

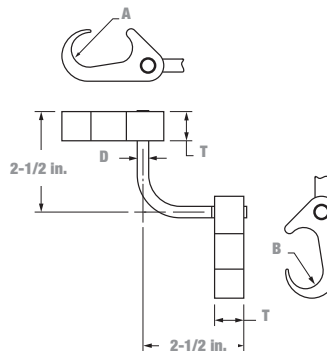
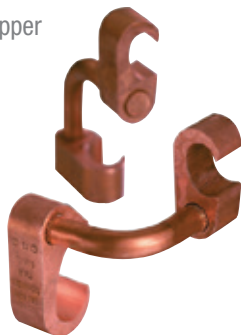


| Cat. No.   | A in. (mm)<br>Ground Rod | B<br>Cable Range    | Dimensions in. (mm) |             | Dies for TBM14M, 13100A or TBM15I |           |
|------------|--------------------------|---------------------|---------------------|-------------|-----------------------------------|-----------|
|            |                          |                     | D                   | L           | Element A                         | Element B |
| 54855LR12* | 1/2 (12.7)               | 2 AWG–250 kcmil     | 0.31 (7.8)          | 2.50 (63.5) | 15G121R                           | 15G86R    |
| 54885LR12* |                          | 250 kcmil–500 kcmil |                     |             |                                   | 15G126R   |
| 54865LR58* | 2 AWG–250 kcmil          | 15G86R              |                     |             |                                   |           |
| 54895LR58* | 250 kcmil–500 kcmil      | 15G126R             |                     |             |                                   |           |
| 54875LR34* | 3/4 (19.1)               | 2 AWG–250 kcmil     | 0.50 (12.7)         | 2.63 (66.8) |                                   | 15G86R    |
| 54900LR34* |                          | 250 kcmil–500 kcmil |                     |             |                                   | 15G126R   |
| 54910LR100 | 1 (25.4)                 | 2 AWG–250 kcmil     |                     |             |                                   | 15G86R    |
| 54920LR100 |                          | 250 kcmil–500 kcmil |                     |             |                                   | 15G126R   |

\*Tin-plated version available for galvanized ground rods. Add suffix -TP to Cat. No.

### Figure 6 to 6 Compression Ground Grid Connectors

- Material: High-conductivity copper
- Acceptable for direct burial



| Cat. No. | A<br>Cable Range    | B<br>to Cable Range | B<br>to Ground Rod  | B<br>to Rebar           | D (in.) | T (in.) | Dies for T&B Tool* |         |
|----------|---------------------|---------------------|---------------------|-------------------------|---------|---------|--------------------|---------|
|          |                     |                     |                     |                         |         |         | A                  | B       |
| 54900L   | 250 kcmil–500 kcmil | 250 kcmil–500 kcmil | 5/8 in.–3/4 in. rod | #5–#6 (5/8 in.–3/4 in.) | 3/4     | 1-1/8   | 15G121R            | 15G121R |
| 54895L   | #2 str.–250 kcmil   | 250 kcmil–500 kcmil | 5/8 in.–3/4 in. rod | #5–#6 (5/8 in.–3/4 in.) | 1/2     | 3/4     | 15G86R             | 15G126R |
| 54885L   | #6 sol.–#2 str.     | 250 kcmil–500 kcmil | 5/8 in.–3/4 in. rod | #5–#6 (5/8 in.–3/4 in.) | 5/8     | 3/4     | 15501A             | 15G126R |
| 54875L   | #2 str.–250 kcmil   | #2 str.–250 kcmil   | 1/2 in.–5/8 in. rod | #3–#4 (3/8 in.–1/2 in.) | 1/2     | 3/4     | 15G86R             | 15G86R  |
| 54865L   | #6 sol.–#2 str.     | #1 str.–250 kcmil   | 1/2 in.–5/8 in. rod | #3–#4 (3/8 in.–1/2 in.) | 5/16    | 3/4     | 15501A             | 15G86R  |
| 54855L   | #6 sol.–#2 str.     | #6 sol.–#2 str.     | –                   | –                       | 5/16    | 3/4     | 15501A             | 15501A  |

\*Use hydraulic tool 13100A, TBM14CR-LI, TBM14M, TBM15CR-LI, TBM15, or TBM15I or with die marked on cat. no. Use 15500TB adaptor for 15-Ton Tool TBM15I.

☐ Number of crimps.