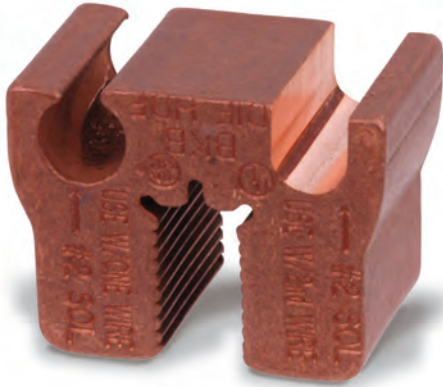


Bus Bar Connectors



Cuts installation time in half — With results superior to conventional connectors

- Unique
- Fast and easy installation
- Superior low-resistance, high-conductivity connections
- Install with conventional compression tools
- Produce a permanent connection with any combination of copper from #6 to #2 solid or stranded conductors, to 1/4 in. copper bus bar
- Made from pure wrought copper and prefilled with oxide inhibitor
- CSA Certified and UL Listed
- Installed with die HDF

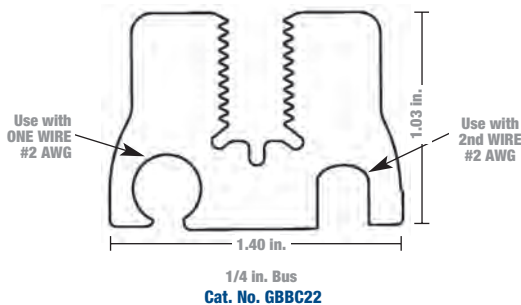


Cat. No.	Ground Bus Bar (in.)	Conductor Range	Tools	Die	Std. Pkg. Qty.
GBBC22	1/4	#2 AWG–#2 AWG	TBM14M	HDF	1
GBBC26		#6 AWG–#2 AWG	TBM14MC TBM14CR-LI		

EZGround® Bus Bar Connectors install in less than 2 minutes with one easy crimp! The connector attaches directly to the bus, saving the labor-intensive process of drilling and tapping. The unique jaw interface of the EZGround® Bus Bar Connector grips the copper bus, resulting in a low-resistance, high-conductivity connection.

The EZGround® Bus Bar Connectors can be used in OEM applications or telecom applications – Cellular, PCS and others. They provide a continuous ground to the copper bus bar, making them ideal for tower applications. The design enables installation in virtually any position, horizontal or vertical, and is suitable for inside and outside plant use. Installation can be completed using tool TBM14, TBM14MC or TBM14CR-LI.

Use this side of the connector when using only one wire.



Use this side of the connector only when using two wires.

