

Straight Lengths

How to create Straight Section part numbers

1. Select the material
2. Select nominal width of tray
3. Select the bottom type
4. The last number is the length of the channel tray

Example:

ALTC04V-3

- Aluminum
- 4 in. wide
- Ventilated bottom
- 10 ft. length



Ventilated Channel



Solid Channel

Straight Section Number Selection

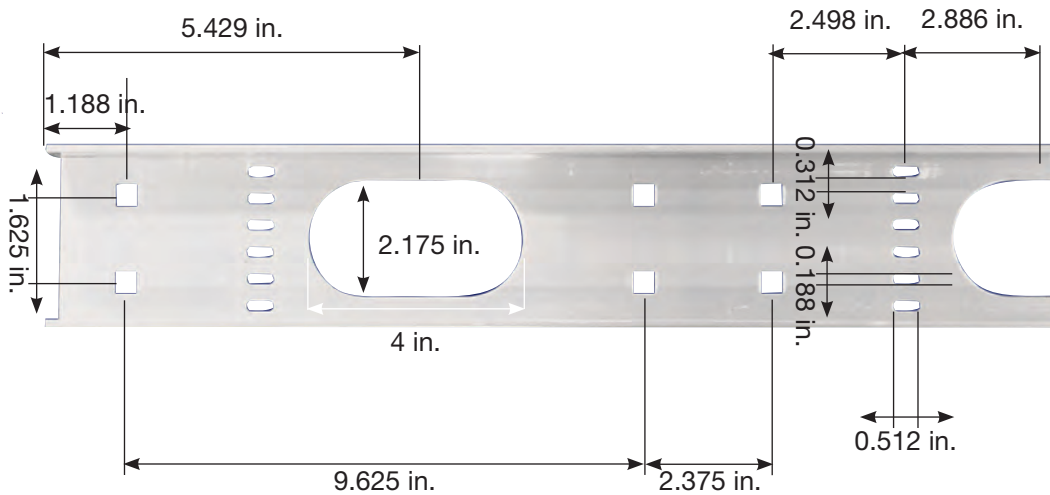


(ALT) C 04 V-3

Material Prefix	Series	Type	Width	Bottom Style	Length
AL • Aluminum SP • Pregalvanized SH • Hot-dipped galvanized SS • 316 Stainless steel	T • Cable channel	C • Straight Section	01 • (1.5 in.) 03 • (3 in.) 04 • (4 in.) 06 • (6 in.)	S • Solid trough V • Ventilated trough	3 • (10 ft.)

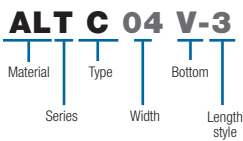
Straight Lengths

Solid and Ventilated



Bottom view of ventilated Channel Tray larger than 1.5 in. wide

Part Numbering System



Selection Guide

Prefix: **ALT**(Alum.), **SPT**(Pregalv.), **SHT**(Hot-Dipped Galv.) **SST**(Stainless Steel)
 Inside Channel Widths: 01=1.5 in., 03=3 in., 04=4 in., 06=6 in.
 Bottom Styles: **V**- Ventilated, **S**- Solid



Straight Lengths

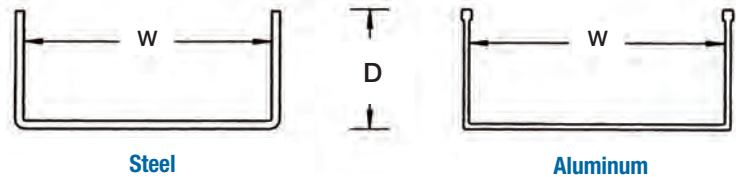
Solid and Ventilated Bottom

Solid: Steel - roll formed steel. aluminum - extruded material.

Ventilated: Pre-punched burr free oblong holes with Ty-Rap® slots between each opening.

Accessories: One connector complete with hardware supplied with each length.

Material: Aluminum-6063-T6
Pregalvanized
Hot-dipped galvanized
316 Stainless Steel



Aluminum Solid	Channel Width (W)	Depth (D)	Support Span (Feet)					
				2	4	6	8	10
ALTC	1.5 in.	3/4 in.	Load (lb./ft.)	47.5	11.9	5.4	3.0	1.9
			Deflection (in.)	0.170	0.680	0.745	1.325	2.070
	3 in.	1-3/8 in.	Load (lb./ft.)	362.5	90.6	40.3	22.7	17.0
			Deflection (in.)	0.083	0.330	0.743	1.322	2.065
4 in.	1-5/8 in.	Load (lb./ft.)	580.0	145.0	64.4	36.3	24.0	
		Deflection (in.)	0.065	0.260	0.585	1.041	1.626	
6 in.	1-3/4 in.	Load (lb./ft.)	607.5	151.9	67.5	38.0	25.0	
		Deflection (in.)	0.061	0.244	0.550	0.977	1.527	

Aluminum Ventilated	Channel Width (W)	Depth (D)	Support Span (Feet)					
				2	4	6	8	10
ALTC	1.5 in.	3/4 in.	Load (lb./ft.)	47.5	11.9	5.4	3.0	1.9
			Deflection (in.)	0.170	0.680	0.745	1.325	2.070
	3 in.	1-3/8 in.	Load (lb./ft.)	300.0	75.0	33.3	18.8	14.0
			Deflection (in.)	0.100	0.400	0.900	1.600	2.500
4 in.	1-5/8 in.	Load (lb./ft.)	525.0	131.3	58.3	32.8	19.0	
		Deflection (in.)	0.074	0.295	0.664	1.181	1.846	
6 in.	1-3/4 in.	Load (lb./ft.)	580.0	145.0	64.4	36.3	21.0	
		Deflection (in.)	0.065	0.261	0.587	1.044	1.631	

Steel Solid	Channel Width (W)	Depth (D)	Support Span (Feet)					
				2	4	6	8	10
SPTC SHTC SSTC	1.5 in.	3/4 in.	Load (lb./ft.)	97.5	24.4	10.8	6.1	3.9
			Deflection (in.)	0.045	0.181	0.408	0.725	1.133
	3 in.	1-3/8 in.	Load (lb./ft.)	252.0	63.0	28.0	15.8	17.0
			Deflection (in.)	0.034	0.134	0.302	0.538	0.840
4 in.	1-5/8 in.	Load (lb./ft.)	408.0	102.0	45.3	25.5	24.0	
		Deflection (in.)	0.026	0.105	0.237	0.421	0.658	
6 in.	1-3/4 in.	Load (lb./ft.)	432.0	108.0	48.0	27.0	25.0	
		Deflection (in.)	0.024	0.096	0.217	0.386	0.603	

Steel Ventilated	Channel Width (W)	Depth (D)	Support Span (Feet)					
				2	4	6	8	10
SPTC SHTC SSTC	1.5 in.	3/4 in.	Load (lb./ft.)	97.5	24.4	10.8	6.1	3.9
			Deflection (in.)	0.045	0.181	0.408	0.725	1.133
	3 in.	1-3/8 in.	Load (lb./ft.)	207.0	51.8	23.0	12.9	14.0
			Deflection (in.)	0.041	0.163	0.366	0.652	1.018
4 in.	1-5/8 in.	Load (lb./ft.)	363.0	90.8	40.3	22.7	19.0	
		Deflection (in.)	0.030	0.119	0.269	0.477	0.746	
6 in.	1-3/4 in.	Load (lb./ft.)	405.0	101.3	45.0	25.3	21.0	
		Deflection (in.)	0.027	0.106	0.239	0.425	0.664	