

Accessories

Selection Guide

Prefix: ALT (Alum.), SPT (Pregalv.), SHT (Hot-Dip Galv.), SST (Stainless Steel)
 Inside Channel Widths: 01=1.5 in., 03=3 in., 04=4 in., 06=6 in.

Standard 1.5 in. Splice Plate



Cat. No.	Width (in.)
(Prefix)-W-01-CCS	1.5

Supplied standard with each length.
 Including hardware, 2 bolts, 2 washers 3/8 in. diameter.

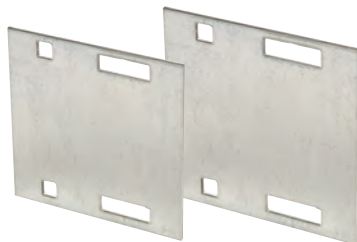
Standard Splice Plate



Cat. No.	Width (in.)
(Prefix)-W-03-CCS	3
(Prefix)-W-04-CCS	4
(Prefix)-W-06-CCS	6

Supplied standard with each length.
 Including hardware, 4 bolts, 4 nuts, 4 washers 3/8 in. diameter.

Expansion Splice Plate



Cat. No.	Width (in.)
(Prefix)-W-1.5-ESP	1.5
(Prefix)-W-03-ESP	3
(Prefix)-W-04-ESP	4
(Prefix)-W-06-ESP	6

Supplied with hardware for 1.5 in. wide channel 2 bolts, 2 nuts; all other widths 4 bolts, 2 stop nuts, 2 serrated flange nuts, 4 lock washers (stainless steel only) 3/8 in. diameter.

Wrap Around Splice Plate



Cat. No.	Width (in.)
(Prefix)-W-01-ACS	1.5
(Prefix)-W-03-ACS	3
(Prefix)-W-04-ACS	4
(Prefix)-W-06-ACS	6

Supplied with hardware for 1.5 in. wide channel 2 bolts, 2 nuts; all other widths 4 bolts, 4 nuts, 4 washers 3/8 in. diameter.

Accessories

Selection Guide

Prefix: ALT (Alum.), SPT (Pregalv.), SHT (Hot-Dip Galv.), SST (Stainless Steel)
 Inside Channel Widths: 01=1.5 in., 03=3 in., 04=4 in., 06=6 in.

Adjustable Horizontal Splice Plate



Cat. No.	Width (in.)
(Prefix)-W-01-CHA	1.5
(Prefix)-W-03-CHA	3
(Prefix)-W-04-CHA	4
(Prefix)-W-06-CHA	6

Standard Vertical Adjustable Splice Plate



Cat. No.	Width (in.)
(Prefix)-W-01-CCV	1.5
(Prefix)-W-03-CCV	3
(Prefix)-W-04-CCV	4
(Prefix)-W-06-CCV	6

Wrap Around Vertical Adjustable Splice Plate



Cat. No.	Width (in.)
(Prefix)-W-01-WAV	1.5
(Prefix)-W-03-WAV	3
(Prefix)-W-04-WAV	4
(Prefix)-W-06-WAV	6

Standard Hold Down Clamp



Cat. No.	Width (in.)
(Prefix)-W-01-SHC	1.5
(Prefix)-W-03-SHC	3
(Prefix)-W-04-SHC	4
(Prefix)-W-06-SHC	6

Accessories

Selection Guide

Prefix: **ALT** (Alum.), **SPT** (Pregalv.), **SHT** (Hot-Dip Galv.), **SST** (Stainless Steel)
 Inside Channel Widths: 01=1.5 in., 03=3 in., 04=4 in., 06=6 in.



Channel Expansion Guide Clamp



Cat. No.	Width (in.)
(Prefix)-W-01-CEG	1.5
(Prefix)-W-03-CEG	3
(Prefix)-W-04-CEG	4
(Prefix)-W-06-CEG	6

Combination Hold Down / Cover Clamp



Cat. No.	Width (in.)
(Prefix)-W-01-CCC	1.5
(Prefix)-W-03-CCC	3
(Prefix)-W-04-CCC	4
(Prefix)-W-06-CCC	6

Heavy-Duty Cover Clamp



Cat. No.	Width (in.)
(Prefix)-W-01-HCC	1.5
(Prefix)-W-03-HCC	3
(Prefix)-W-04-HCC	4
(Prefix)-W-06-HCC	6

Closed End Plate



Cat. No.	Width (in.)
(Prefix)-W-01-CEP	1.5
(Prefix)-W-03-CEP	3
(Prefix)-W-04-CEP	4
(Prefix)-W-06-CEP	6

Accessories

Selection Guide

Prefix: **ALT** (Alum.), **SPT** (Pregalv.), **SHT** (Hot-Dip Galv.), **SST** (Stainless Steel)
 Inside Channel Widths: 01=1.5 in., 03=3 in., 04=4 in., 06=6 in.

Channel Mounting Bracket



Cat. No.	Width (in.)
(Prefix)-W-01-CCB	1.5
(Prefix)-W-03-CCB	3
(Prefix)-W-04-CCB	4
(Prefix)-W-06-CCB	6

Channel to Cable Tray Plate



Cat. No.	Width (in.)
(Prefix)-W-01-CCT	1.5
(Prefix)-W-03-CCT	3
(Prefix)-W-04-CCT	4
(Prefix)-W-06-CCT	6

Channel Straight Reducer Plate



Cat. No.	Width (in.)
(*)-W-03-01-RSP	3 to 1
(*)-W-04-01-RSP	4 to 1
(*)-W-06-01-RSP	6 to 1
(*)-W-04-03-RSP	4 to 3
(*)-W-06-03-RSP	6 to 3
(*)-W-06-04-RSP	6 to 4

Channel to Floor Base Plate



Cat. No.	Width (in.)
(Prefix)-W-01-CBP	1.5
(Prefix)-W-03-CBP	3
(Prefix)-W-04-CBP	4
(Prefix)-W-06-CBP	6

Accessories

Selection Guide

Prefix: **ALT** (Alum.), **SPT** (Pregalv.), **SHT** (Hot-Dip Galv.), **SST** (Stainless Steel)
 Inside Channel Widths: 01=1.5 in., 03=3 in., 04=4 in., 06=6 in.



Channel to Tray Mounting Bracket



Cat. No.	Width (in.)
(Prefix)-W-01-TCB	1.5
(Prefix)-W-03-TCB	3
(Prefix)-W-04-TCB	4
(Prefix)-W-06-TCB	6

Single Channel Hanger



Cat. No.	Width (in.)
SPT-W-06-CCH	For use with all widths
SHT-W-06-CCH	
SST-W-06-CCH	

Note: Designed for use with 1/2 in. threaded rod

Double Channel Hanger

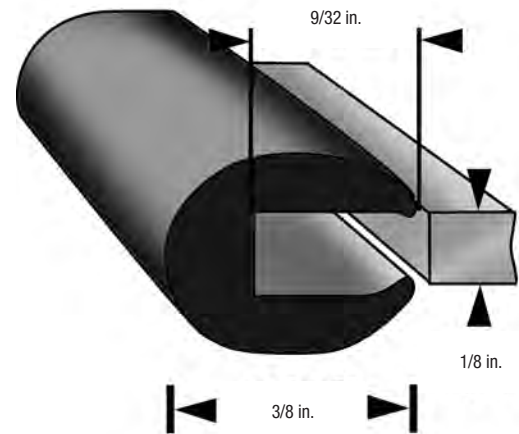
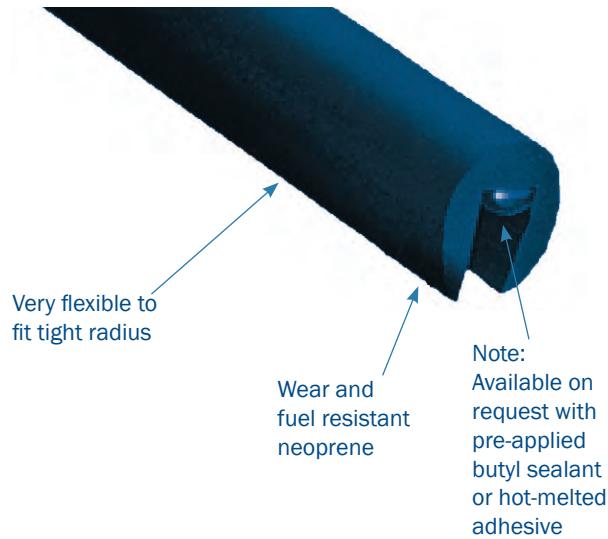


Cat. No.	Width (in.)
SPT-W-06-DCH	For use with all widths
SHT-W-06-DCH	

Note: Designed for use with 1/2 in. threaded rod

Accessories

Channel Rubber Edge Trim



Cat. No.	Width	Description
RET-BUSH	For use with 3 in., 4 in. and 6 in.	Rubber edge trim - 10-3/4 in. Bushing - Standard pack of 10
RET-50	For use with all widths	Rubber edge trim - 50 foot roll
RET-500	For use with all widths	Rubber edge trim - 500 foot roll

Product specifications: Recommended temperature range: -40°C through 107°C.
 Recommended temperature range if ordered with adhesive: -23°C through 70°C
 Base material: Dense neoprene rubber.