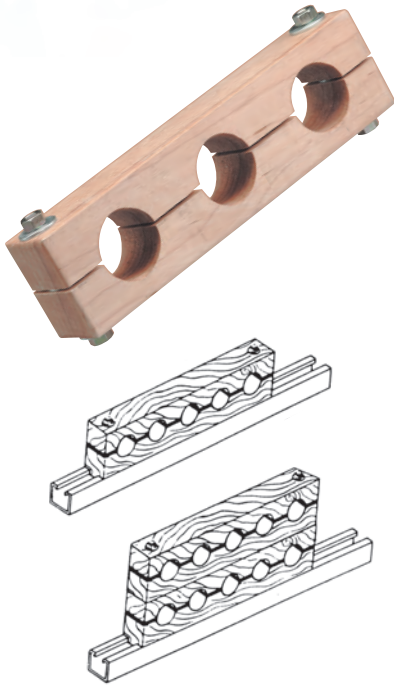


Custom Maple Block and Cable Rollers



Custom Maple Hardwood Block

Maple hardwood, paraffin wax impregnated, multiple cable blocks can be made to your specific requirements.

Cable blocks are to ensure proper separation of single conductor cables, which prevents any interference due to magnetic fields. The maple hardwood blocks are paraffin wax impregnated to prevent moisture from penetrating and causing rotting and splitting.

Cable blocks are also available in high density polyethylene.

Price and delivery upon request.

Electrogalvanized hardware included, however stainless steel hardware is also available upon request.

Maple hardwood block catalogue selector

(MB) 3-15-1.8125-DH				
Material Prefix	Number of rows of holes	Total number of holes	Hole diameter	Hardware
MB • Maple block	Please specify	Please specify	Please specify	Blank • No hardware included DH • Hardware included DHSS • Stainless steel hardware included

Cable Rollers

Why should rollers be used?

1. To reduce pulling stress on cables, avoiding undue fatigue or abrasions.
2. Minimizes harmful "shear" load being placed on cable trays.
3. To reduce installation time.

Why purchase the T&B Cable Roller System?

- Universal — fits virtually all tray systems.
- Mounts from bottom of cable tray, eliminating the need for double handling cables and reducing possibility of cable damage.
- Sideways telescopic adjustment allows rollers to accommodate virtually all tray widths.
- Nylon bearings require no lubrication.
- Independent rollers limit cable abrasion.

Straight Roller



Cat. No.	Description	Fits
HAR 1224	Straight	all profiles 12 in. to 24 in. (30 cm to 60 cm)
HAR 1836	Straight	all profiles 18 in. to 36 in. (45 cm to 90 cm)

Corner Roller



Cat. No.	Description	Fits
VHR04	Corner	all profiles

Cable Tray Support Systems

Hanger Rod Clamp



These clamps are designed for ladder and ventilated cable tray. They provide a fast and economical solution for a suspended cable tray installation. One kit is needed per each threaded rod location.

Kit consists of:
- one bottom clamp
- one top clamp

Uses 1/2 in. threaded rod (order separately) / 250 lb. capacity per kit.

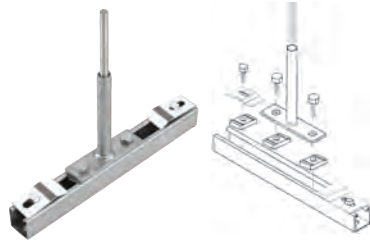
For Steel Cable Tray

Cat. No.	Material Prefix	Height (in.)
(Prefix)-3-HRC	SPW SHW SSW	3
(Prefix)-4-HRC		4
(Prefix)-5-HRC		5
(Prefix)-6-HRC		6
(Prefix)-7-HRC		7

For Aluminum Cable Tray

Cat. No	Tray Series	Cat. No	Tray Series	Cat. No	Tray Series
ABW04-HRC	AH04	ABW25-HRC	AH25	ABW46-HRC	AH46
ABW14-HRC	AH14	ABW35-HRC	AH35	ABW56-HRC	AH56
ABW24-HRC	AH24	ABW45-HRC	AH45	ABW66-HRC	AH66
ABW34-HRC	AH34	ABW16-HRC	AH16	ABW27-HRC	AH27
ABW44-HRC	AH44	ABW26-HRC	AH26	ABW37-HRC	AH37
ABW54-HRC	AH54	ABW36-HRC	AH36		

Center Support Bracket

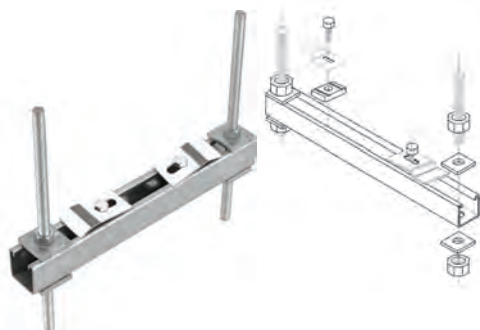


This system is designed to reduce cable pulling by allowing access from both sides of cable tray. Installation cost and time are reduced significantly by single point suspension.

- Supplied as a complete kit.
- Uses 1/2 in. threaded rod (order separately).
- For use with up to 24 in. wide tray.
- Load capacity : 700 lb. per kit.

Cat. No.	Material	Channel Width (in.)	Tray Width (in.)
SHW18CSB	Hot-dipped galvanized	18	6 9
SHW30CSB			12 18 24

Trapeze Kit



This system is designed to support various cable tray widths in a suspending installation.

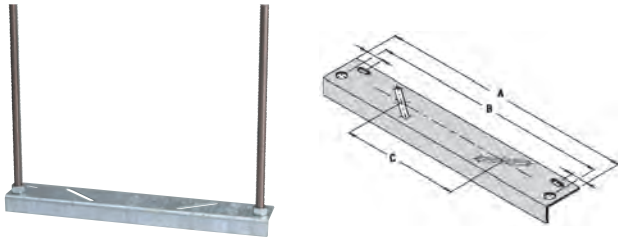
- Kit consists of:
- 1 pc of strut cut to length
 - 4 3/8 in. strut nuts
 - 2 hold down clips
 - 4 1/2 in. hex nuts
 - 2 3/8 in. x 7/8 in. hex head cap screws
 - 4 1/2 in. square washers
 - Uses 1/2 in. threaded rod (order separately)

Cat. No.	Channel Width (in.)	Tray Width (in.)
(*)-06-TPK	16-7/8	6
(*)-09-TPK	18-3/4	9
(*)-12-TPK	22-1/2	12
(*)-18-TPK	28-1/8	18
(*)-24-TPK	35-5/8	24
(*)-30-TPK	41-1/4	30
(*)-36-TPK	46-7/8	36
(*)-42-TPK	52-1/2	42

(*) Insert SHW for hot-dipped galvanized.
SSW for stainless steel 316.
SPW for pregalvanized.

Cable Tray Support Systems

Cross Member



Cat. No.	A	B	C
S202-6HDG	6	5	–
S202-9HDG	9	8	2
S202-15HDG	5	14	8
S202-21HDG	21	20	14
S202-27HDG	27	26	20
S202-33HDG	33	32	26

* Order hold down clips separately. Cat # SSW-HEC.
Hanging rods not included.
Standard finish: hot-dipped galvanized.

Cantilever Support



Cat. No.	A	B	Design Load/Lb.
S203-8HDG	8-1/2	4-1/16	1200
S203-14HDG	14-1/2	5-3/8	1200
S203-20HDG	20-1/2	6-11/16	1200
S203-26HDG	26-1/2	8	1200
S203-32HDG	32-1/2	8	1200
S203-38HDG	38-1/2	8	1200

* Order hold down clips separately. Cat # SSW-HEC.
Standard finish: hot-dipped galvanized.

Conduit to Cable Tray Clamp



Cat. No.	Conduit Size (in.)
6210	1/2 – 3/4
6212	1 – 1-1/4

Material: steel
Standard finish: electrogalvanized.

Conduit to Cable Tray - Swivel Clamp



Cat. No.	Conduit Size (in.)
6209	1/2 – 3/4
6211	1 – 1-1/4
6214	1-1/2 – 2
6216	2-1/2 – 3
6218	3-1/2 – 4

Swivel Tray Clamp for aluminum and steel trays with regular or reinforced flanges.
- Serrations and biting teeth on clamping saddle provide a high quality bond between conduit and clamp.
- 1/2 to 4 inch can be clamped to any position in a 90 degree arc.
Material: malleable iron hub and steel U-bolt.
Standard finish: zinc plated.