

## Brackets

### Under Floor U-Bolt Support

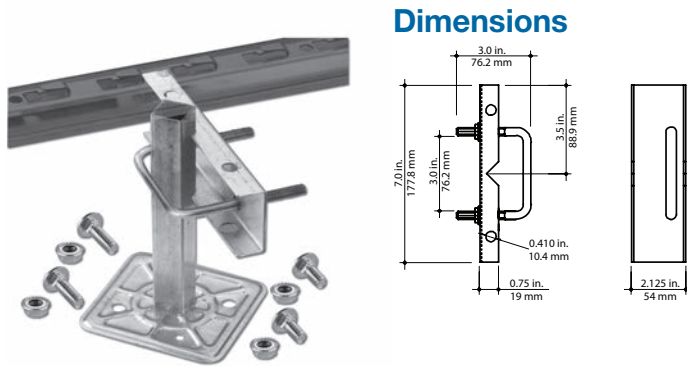
The under-floor U-bolt support is used to attach TabLok™ or standard “L” brackets to round or square floor posts. Available in pregalvanized steel, the U-bolt support is supplied complete with hardware.

**EXPRESS TIP**

Refer to page B53 for an application example



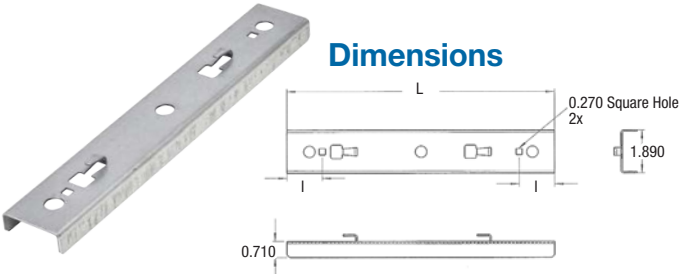
Tool required: 10mm nut driver



Cat. No.	Material	Weight	
		lb./ea.	kg/ea.
ETB-UFUS-PG	Pregalvanized Steel	0.67	0.31

### Tablok™ Profile with Square Holes

Specially designed for use with under-floor brackets



Cat. No.	Number of tabs per length	Length (L)		Length (l)		Weight	
		in.	mm	in.	mm	lb./ea.	kg/ea.
ETB-TL-SQH06-PG	2	6	150	1.56	40	0.48	0.19
ETB-TL-SQH08-PG	2	8	200	1.56	40	0.59	0.27
ETB-TL-SQH10-PG	2	10	250	1.56	40	0.73	0.33
ETB-TL-SQH12-PG	2	12	300	1.56	40	0.88	0.40
ETB-TL-SQH16-PG	2	16	400	1.56	40	1.17	0.53
ETB-TL-SQH20-PG	2	20	500	1.56	40	1.47	0.67
ETB-TL-SQH24-PG	2	24	600	1.56	40	1.76	0.80
ETB-TL-SQH28-PG	2	28	700	1.56	40	2.05	0.93

### Signal Reference – Grid Connectors

#### Compress #8 AWG through 4/0 AWG cable

- Clamp onto pedestal posts up to 1 diameter square and 1-1/4 in. round
- Can be used as “X” or “T” configuration cable to post
- High-conductivity wrought-copper construction



Cat. No.	Conductor Range	Installing Tools and Die Codes TBM14M and TBM15I		
		Die Cat. No.	Die Code	Colour Code
SRG8-4	#8 #6 to #4	15527SS	29	Grey
		15528SS	33	Brown
SRG2-1	#2 and #1	15508SS	42	Pink
SRG10-20	1/0 and 2/0	15530SS	50	Orange
SRG30-40	3/0 and 4/0	15511SS	54	Purple

#### Secure signal reference grid wires to raised-floor support posts

- Range-taking design accepts #4 to #8 AWG grid wire and fits 3/4 in. square to 1 in. round
- Lay-in feature means no kinks or bends
- Quick, easy installation
- Only one screw to tighten
- Enable grid wire to make direct, low-resistance contact with support posts
- Stamped-steel construction, zinc plated



Cat. No.	Description	Wire Range
3900 (Unit)	3/4 in. square to 1 in. round	#8–#4
3900BP (Bulk Pack)		