



## Underground Multiple Position Meter Sockets for British Columbia

Improved accessibility with separate cable compartment including extended bus bars and tunnel type connectors.

**400 A BSC4-GA Series**



**200 A BDC Series**



**100 A BEC Series**



Accepted by BC Hydro  
current standard  
ES53-S1-01.01  
and S1-01.02

**Thomas & Betts**

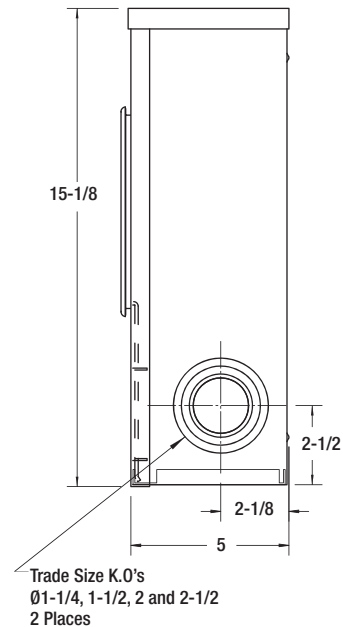
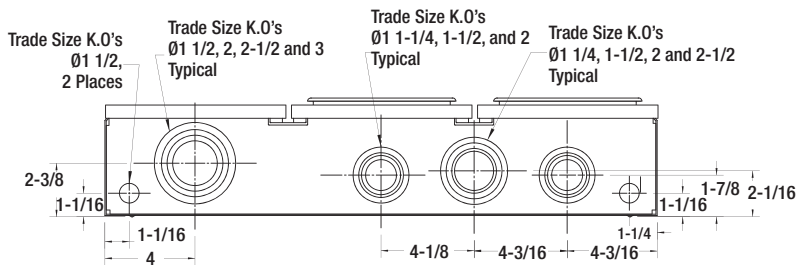
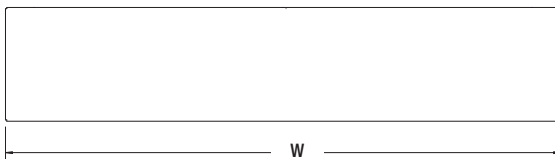
# BEC SERIES

Multiple Position 100 A per Position 200 A 600 V Max.



## Product Specifications

- Conductor range: Line: 1-1/0 AWG  
Load: 6-1/0 AWG
- For underground service only
- Aluminum tunnel type connectors for both load and line sides
- Supplied with screw type sealing rings
- Weatherproof Type 3R enclosure
- Internal locking system for covers



Note: Pattern for bottoms. Left hand entry is shown.  
For right-hand entry, unit is manufactured symmetrically with hub openings, knockouts for line connectors on right side.

Dimensions are in inches

Cat. No.		Meter Position	Dimensions (in.)			Weight Each	
Left-Hand Entry	Right-Hand Entry		H	W	D	lb	kg
<b>BEC2-VA</b>	<b>BEC2-VAH</b>	2 position c/w connector	15-1/8	24-3/16	5	27	12.2
<b>BEC3-VA</b>	<b>BEC3-VAH</b>	3 position c/w connector	15-1/8	33-1/8	5	35	15.9
<b>BEC4-VA</b>	<b>BEC4-VAH</b>	4 position c/w connector	15-1/8	41-7/16	5	43	19.5

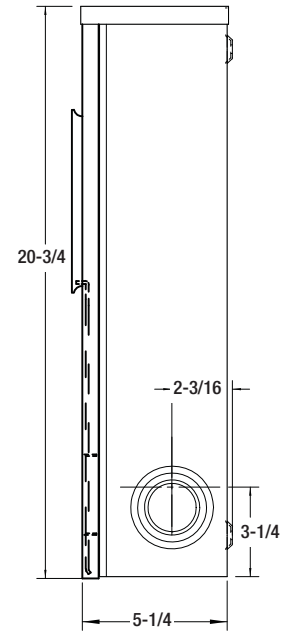
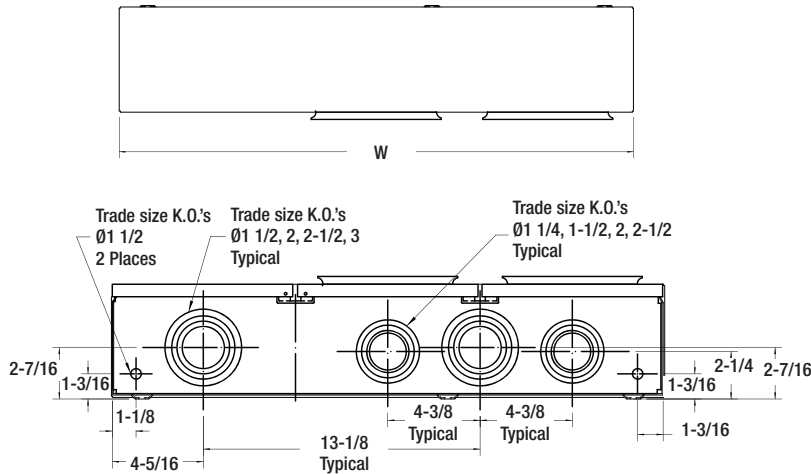
# BDC SERIES

## Multiple Position 200 A per Position 200 A 600 V Max.



### Product Specifications

- Conductor range: Line: 6 AWG-250 kcmil  
Load: 6 AWG-250 kcmil
- For underground service only
- Aluminum tunnel type connectors for both load and line sides
- Supplied with screw type sealing rings
- Weatherproof Type 3R enclosure
- Internal locking system for covers



Note: Pattern for bottoms. Left hand entry is shown.  
For right-hand entry, unit is manufactured symmetrically with hub openings, knockouts for line connectors on right side.

Dimensions are in inches

Cat. No.		Meter Position	Dimensions (in.)			Weight Each	
Left-Hand Entry	Right-Hand Entry		H	W	D	lb	kg
<b>BDC2-VAILBC</b>	<b>BDC2-VAHILBC</b>	2 position	20-3/4	26-1/4	5-1/4	30	13.6
<b>BDC3-VAILBC</b>	<b>BDC3-VAHILBC</b>	3 position	20-3/4	26-1/4	5-1/4	30	13.6
<b>BDC4-VAILBC</b>	<b>BDC4-VAHILBC</b>	4 position	20-3/4	35	5-1/4	42	19.0

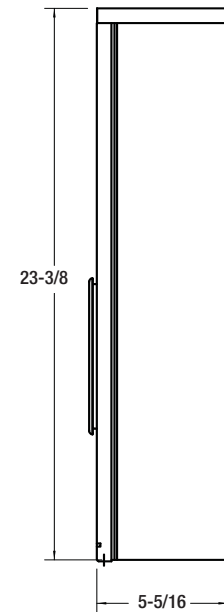
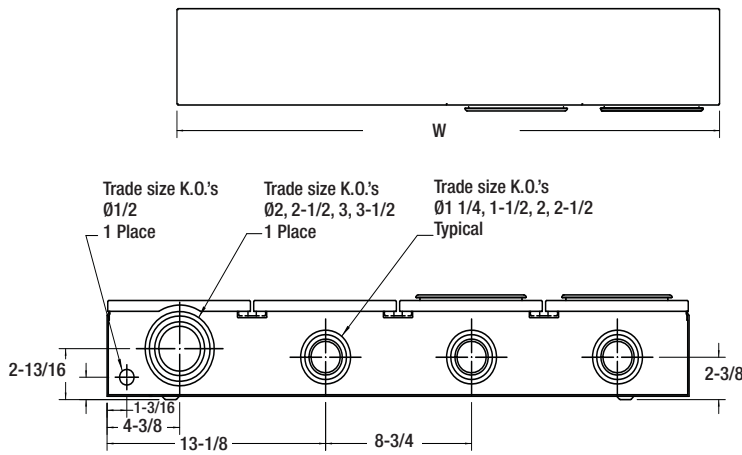
# BSC4-GA SERIES

Multiple Position 200 A per Position 400 A 600 V Max.



## Product Specifications

- Conductor range: Line: 6 AWG-500 kcmil  
Load: 6 AWG-250 kcmil
- For underground service only
- Aluminum tunnel type connectors for both load and line sides
- Twin blank wiring compartment and increased length of the busbars (BC Hydro requirement)
- Supplied with screw type ring
- Weatherproof Type 3R enclosure



Dimensions are in inches

Note: Pattern for bottoms. Left hand entry is shown.  
For right-hand entry, unit is manufactured symmetrically with hub openings, knockouts for line connectors on right side.

Cat. No.		Meter Position	Dimensions (in.)			Weight Each	
Left-Hand Entry	Right-Hand Entry		H	W	D	lb	kg
<b>BSC42-VGA</b>	<b>BSC42-VGAH</b>	2 position	23-3/8	35	5-5/16	58	26.3
<b>BSC43-VGA</b>	<b>BSC43-VGAH</b>	3 position	23-3/8	43-3/4	5-5/16	72	32.7
<b>BSC44-VGA</b>	<b>BSC44-VGAH</b>	4 position	23-3/8	52-1/2	5-5/16	86	39.0
<b>BSC45-VGA</b>	<b>BSC45-VGAH</b>	5 position	23-3/8	61-1/4	5-5/16	100	45.4
<b>BSC46-VGA</b>	<b>BSC46-VGAH</b>	6 position	23-3/8	70	5-5/16	114	51.8

Approved for copper or aluminum.

## Cross Reference to underground meter required by BC Hydro Standard

100 A per position, multiple position meter sockets  
200 A 600 V max.

Not accepted by BC Hydro for underground application	Required by BC Hydro for underground applications	Description
BE2-V	BEC2-VA	2 position, 4 jaw, Left hand entry
BE3-V	BEC3-VA	3 position, 4 jaw, Left hand entry
BE4-V	BEC4-VA	4 position, 4 jaw, Left hand entry
BEC2-VH	BEC2-VAH	2 position, 4 jaw, right hand entry
BEC3-VH	BEC3-VAH	3 position, 4 jaw, right hand entry
BEC4-VH	BEC4-VAH	4 position, 4 jaw, right hand entry
BEC2-V	BEC2-VA	2 position, 4 jaw, Left hand entry
BEC3-V	BEC3-VA	3 position, 4 jaw, Left hand entry
BEC4-V	BEC4-VA	4 position, 4 jaw, Left hand entry
BEC2-VH	BEC2-VAH	2 position, 4 jaw, right hand entry
BEC3-VH	BEC3-VAH	3 position, 4 jaw, right hand entry
BEC4-VH	BEC4-VAH	4 position, 4 jaw, right hand entry

200 A per position, multiple position meter sockets  
200 A 600 V max.

Not accepted by BC Hydro for underground application	Required by BC Hydro for underground applications	Description
BD2-VBC	BDC2-VAILBC	2 position, 4 jaw, Left hand entry
BDC2-V	BDC2-VAILBC	2 position, 4 jaw, Left hand entry
BDC3-V	BDC3-VAILBC	3 position, 4 jaw, Left hand entry
BDC4-V	BDC4-VAILBC	4 position, 4 jaw, Left hand entry
BDC2-VH	BDC2-VAHILBC	2 position, 4 jaw, right hand entry
BDC3-VH	BDC3-VAHILBC	3 position, 4 jaw, right hand entry
BDC4-VH	BDC4-VAHILBC	4 position, 4 jaw, right hand entry
BDC2-VIL	BDC2-VAILBC	2 position, 4 jaw, Left hand entry
BDC3-VIL	BDC3-VAILBC	3 position, 4 jaw, Left hand entry
BDC4-VIL	BDC4-VAILBC	4 position, 4 jaw, Left hand entry
BDC2-VHIL	BDC2-VAHILBC	2 position, 4 jaw, right hand entry
BDC3-VHIL	BDC3-VAHILBC	3 position, 4 jaw, right hand entry
BDC4-VHIL	BDC4-VAHILBC	4 position, 4 jaw, right hand entry
BDC2-VAIL	BDC2-VAILBC	2 position, 4 jaw, Left hand entry
BDC3-VAIL	BDC3-VAILBC	3 position, 4 jaw, Left hand entry
BDC4-VAIL	BDC4-VAILBC	4 position, 4 jaw, Left hand entry
BDC2-VHAIL	BDC2-VAHILBC	2 position, 4 jaw, right hand entry
BDC3-VHAIL	BDC3-VAHILBC	3 position, 4 jaw, right hand entry
BDC4-VHAIL	BDC4-VAHILBC	4 position, 4 jaw, right hand entry

## MICRO-ID-KIT

To meet BC Hydro standards for permanent identification of multiple position meter sockets use microelectric stainless steel markers.



Cat. no. MICRO-ID-KIT comes in an easy to carry blue metal carrying case with

- 10 stainless steel markers of each letters A thru D.
- 10 stainless steel markers of each numbers 0 thru 9
- 10 words "SERVICE"
- 4 CM-BS100 Jumper Bar 200 Amp. max.
- 10 LS500 Meter Jaw Safety Shroud



## Brands of choice

Our dedication to new product design, lean manufacturing, customer satisfaction, quality products and services, and technological superiority, positions Thomas & Betts as one of the most preferred brands of electrical components and connectors in the industry.

[www.tnb.ca](http://www.tnb.ca)

### Atlantic Provinces

Thomas & Betts Limited  
Tel.: (902) 450-1307  
Toll Free: 1-877-862-4357  
Fax: (902) 450-1309

### Quebec

Thomas & Betts Limited  
Tel.: (450) 466-1102  
Toll Free: 1-800-465-1399  
Fax: (450) 466-1163

### Ontario

Thomas & Betts Limited  
Tel.: (905) 858-1010  
Toll Free: 1-877-291-7771  
Fax: (905) 858-1080

### Manitoba/Saskatchewan

Thomas & Betts Limited  
Tel.: (604) 598-9811  
Toll Free: 1-866-540-8220  
Fax: (604) 598-9840

### Alberta

Thomas & Betts Limited  
Tel.: (780) 424-7092  
Toll Free: 1-888-664-5666  
Fax: (780) 424-7093  
Toll Free: 1-866-424-4082

### British Columbia

Thomas & Betts Limited  
Tel.: (604) 598-9811  
Toll Free: 1-866-540-8220  
Fax: (604) 598-9840

**Thomas & Betts**