



The 2-1/2 inch mast coupler

Microelectric® MC250 is an exclusive one-piece 2-1/2 inch mast coupler for overhead installations.

The MC250 mast coupler is a perfect solution when you must join two masts to reach a higher than standard overhead entrance installation.

- Heavy-duty cast aluminum
- Tapered interior to avoid cable damage when pulling
- Ribbed interior for 3 point mast contact
- Includes two coned, case hardened 12-24 x 3/4 in. screws
- Designed and manufactured in Canada

One-piece design

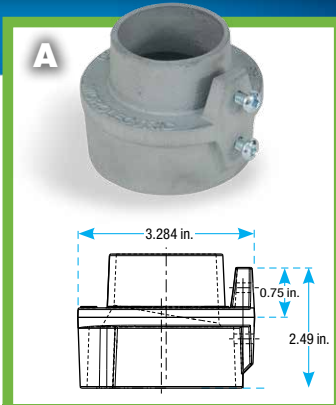
Quick and easy to install

Heavy-duty quality



Thomas & Betts. Your best connection for innovative solutions.

The MC250 helps you to reach new heights!



MC250 one-piece coupler



Ribs and coned screw create a solid 3-point mast contact

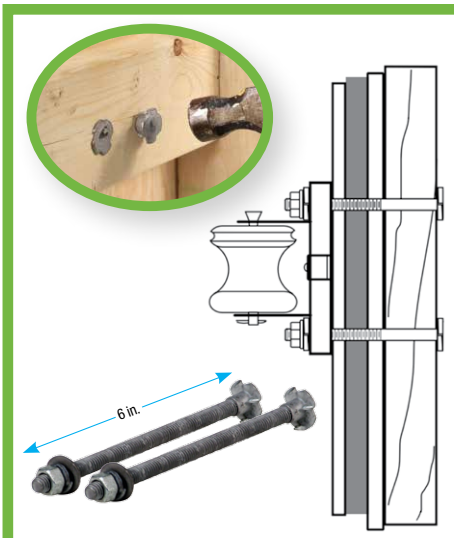


Case-hardened, coned screws to secure and couple both masts



A fixed and reliable installation

More Microelectric® solutions



B3/8-6 spool racks anti-vibration kit for a solid installation



MICRO-ID-KIT includes stainless steel markers from A to D and O to 9, jumper bars, and safety shrouds



MM507DN, 2-1/2 in. twin hole roof flange for overhead parallel runs

Microelectric® accessories

CAT. NO.	DESCRIPTION	OUTER PACKAGING
MC250	2-1/2 mast coupler	30
MICRO-ID-KIT	Metal carrying case with: stainless steel markers, jumper bars and safety shrouds	1
B3/8-6	Two 3/8 x 6 inch clawed bolt head rods with hardware	5
MM507DN	2-1/2 inch twin hole roof flange	10

Atlantic Provinces

Thomas & Betts Limited
Tel.: (902) 450-1307
Toll Free: 1-877-862-4357
Fax: (902) 450-1309

Quebec

Thomas & Betts Limited
Tel.: (450) 466-1102
Toll Free: 1-800-465-1399
Fax: (450) 466-1163

Ontario

Thomas & Betts Limited
Tel.: (905) 858-1010
Toll Free: 1-877-291-7771
Fax: (905) 858-1080

Manitoba/Saskatchewan

Thomas & Betts Limited
Tel.: (604) 598-9811
Toll Free: 1-866-540-8220
Fax: (604) 598-9840

Alberta

Thomas & Betts Limited
Tel.: (780) 424-7092
Toll Free: 1-888-664-5666
Fax: (780) 424-7093
Toll Free: 1-866-424-4082

British Columbia

Thomas & Betts Limited
Tel.: (604) 598-9811
Toll Free: 1-866-540-8220
Fax: (604) 598-9840