

TYPICAL SPECIFICATIONS

The contractor shall install the **Ready-Lite® LDXC Series** battery units. The emergency lighting system shall consist of fully automatic equipment with two emergency lighting heads. The unit shall be rated _____ V with a capacity of _____ W for 30 minutes of emergency operation.

The charger shall be factory set with a charging voltage tolerance of $\pm 1\%$ to enable a longer battery life. The emergency light heads shall require no tools for adjusting or aiming. The metal cabinet shall be made of steel with anti-corrosion undercoating.

The unit equipped with the auto-test micro-controller board shall self-test 1 minute every 30 days, 10 minutes every 6 months and 30 minutes every 12 months. The unit shall be supplied with a test switch and diagnostic LED indicator lights to continuously monitor the status of the unit: Battery Failure, Battery Disconnect, Charger Failure, Lamp Failure, Service Alarm, main voltage AC "ON", Charger High Rate.

The unit shall be CSA Certified to C22.2 no.141-15.

The unit shall be **Ready-Lite®** model: _____ .

WIRE GUARDS

460.0080-RL	wall mount
-------------	------------

POWER CONSUMPTION AND UNIT RATING

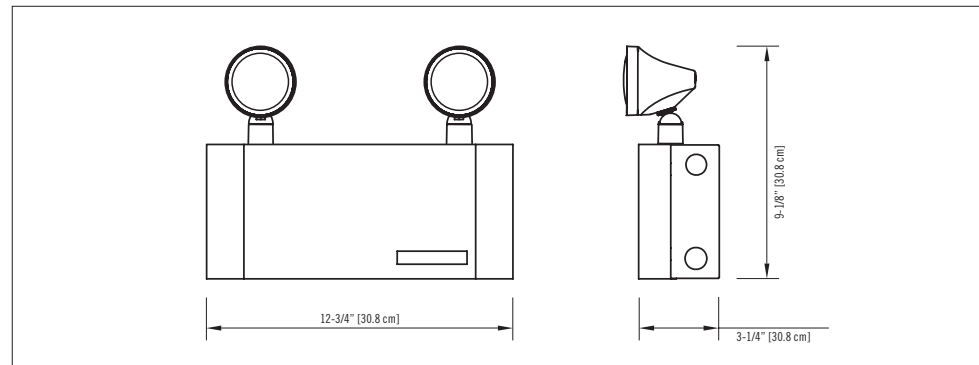
MODEL	AC SPECS	WATTAGE CAPACITY				
		30MIN	1H00	1H30	2H00	4H00
LDXC627	120/347 VAC	27	15	11	9	-
LDXC644		44	26	18	15	7
LDXC672		72	42	30	24	12
LDXC1244		44	26	18	15	7
LDXC1272		72	42	30	24	12

REPLACEMENT LAMPS

ORDERING CODE	LAMP TYPE	VOLTAGE/ WATTAGE
580.0097-RL	MR16, LED	6V-4W
580.0122-RL	MR16, LED	6V-5W
580.0093-RL	MR16, LED	12V-4W
580.0104-RL	MR16, LED	12V-5W
580.0106-RL	MR16, LED	12V-6W

DIMENSIONS

Dimensions are approximate and subject to change.



LDXC SERIES

Steel, compact, 6V and 12V

FEATURES

- Compact steel cabinet with corrosion-resistant undercoating
- Quick and easy installation – pre-assembled cordset, no batteries or board to remove before installation
- Universal Spider knockout pattern for junction box mounting
- Fully automatic solid-state charger with test switch and AC-on pilot light
- Sealed dust-proof transfer relay circuit and low-voltage disconnect
- Long-life, maintenance-free sealed Lead Acid battery
- NEXUS® compatible. Please consult your sales representative
- Heads require no tools for orientation
- Standard input 120 VAC with line cord installed
- 120/347 VAC without line cord
- Certified CSA C22.2 No.141-15
- Advanced diagnostics capabilities (specific load requirements)

See warranty details at: www.tnb.ca/en/brands/ready-lite

ORDERING INFORMATION

SERIES	CAPACITY	SPECIAL OPTIONS	# OF HEADS	HEADS STYLE/WATTAGE	COLOUR	AC VOLTAGE	OPTIONS
LDXC6= 6V	-27= 27W -44= 44W -72= 72W	AD= auto-diagnostic ¹ ADN= auto-diagnostic, non-audible ¹ Blank= no options	1= one head 2= two heads Blank= no heads	LD1= MR16 LED, 6V-4W LD2= MR16 LED, 6V-5W LD7= MR16 LED, 12V-4W LD9= MR16 LED, 12V-5W LD10= MR16 LED, 12V-6W	BK= black Blank= factory white	Blank= 120VAC c/w linecord U277= 277VAC input U347= 120/347VAC input	Blank= no options CT= cab-tire TL= twist-lock plug ¹
LDXC12= 12V	-44= 44W -72= 72W	NEXRF= wireless NEXUS® system interface* ¹ Not available in 6V-72W Not all options available with NEXUS® System. Please consult your sales representative					¹ 120V is standard

EXAMPLE: LDXC6-27LD1