



## DESCRIPTION

The **ZCP** has several inputs to detect the AC voltage of each zone. It will activate all the emergency lighting if at least one zone becomes de-energized through either a power failure or lighting circuit breaker tripping. This greatly enhances the life safety system, as any failure of a lighting circuit will ensure emergency egress lighting in the entire building. As an optional feature, the ZCP can include test buttons and/or pilot lights, enabling individual testing of each zone circuit monitored. The ZCP can be included as an option in the **Ready-Lite®** emergency lighting battery unit, with maximum 6 zone circuits. For a larger number of zones the ZCP is available in a separate enclosure (extension module).

## TYPICAL SPECIFICATION: ZCP ZONE CONTROL STAND-ALONE EXTENSION MODULE

Supply and install **Ready-Lite® ZCP Series** Model \_\_\_\_\_ of Zone Control Panel. The equipment shall have \_\_\_\_\_ (maximum 24) inputs for line voltage detection from different building zones. The wire connection from each zone circuit shall be made with terminal blocks. The value of each zone voltage shall be: \_\_\_\_VAC. The output circuit shall be a dry-contact relay, normally closed and shall be accessible for connection on a terminal block. The output circuit shall be connected at installation in series with the AC line supplying the battery unit equipment. The value of output line voltage shall be: \_\_\_\_VAC. In the case of power failure of one or several zones the output circuit will open and transfer the battery unit(s) in emergency lighting mode. When specified the equipment shall include a 'push to test' push button and/or a pilot light for each zone circuit for manual testing and service. The unit shall be certified CSA 22.2 No.141-10.

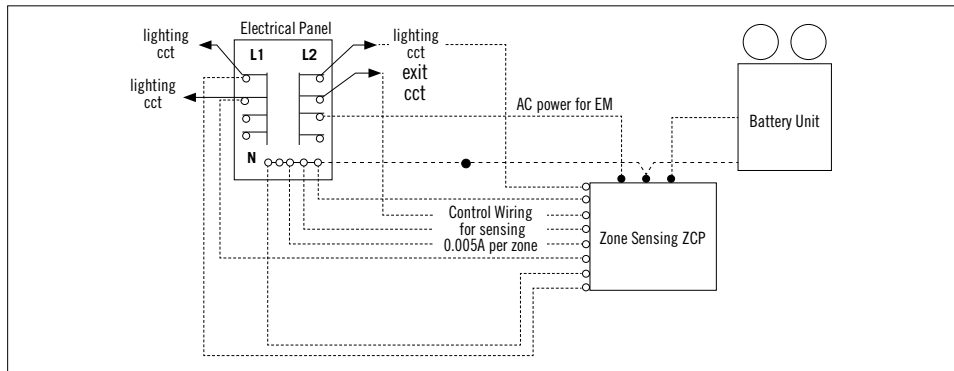
The unit shall be **Ready-Lite®** model: \_\_\_\_\_.

## TYPICAL SPECIFICATION: BATTERY UNIT EQUIPMENT WITH ZCP ZONE CONTROL OPTION

When specified, the equipment shall have \_\_\_\_\_ (maximum six) inputs for line voltage detection from different building zones. The wire connection from each zone circuit shall be made with terminal blocks. The value of each zone voltage shall be: \_\_\_\_VAC. In the case of a power failure of one or several zones the circuit will transfer the battery unit to emergency lighting mode for minimum 30 minutes. When specified the equipment shall include a 'push to test' push button and/or a pilot light for each zone circuit for manual testing and service. The unit shall be certified CSA 22.2 No.141-10.

The unit shall be **Ready-Lite®** model: \_\_\_\_\_.

## TYPICAL WIRING OF STAND-ALONE ZCP ZONE SENSING



## 1. ORDERING INFORMATION: STAND-ALONE ZONE SENSING EXTENSION MODULE

AC OUTPUT: BATTERY UNIT(S) (AC CURRENT DRAW: 8A MAX.)	SERIES	NUMBER OF ZONE CIRCUITS	AC INPUT OF ZONES	NUMBER OF UNITS SERVED	CABINET TYPE	OPTIONS
U120= 120VAC input U347= 347VAC input	ZCP	2Z= 2 zones 3Z= 3 zones  Additional zone circuits available, refer to cabinet type.	1= 120VAC 3= 347VAC	U1= 1 unit	A= A cabinet (max. 4 circuits) <sup>1</sup> B= B cabinet (max. 8 circuits) C= C cabinet (max. 24 circ. 120V; 16 circ. 347V) <sup>2</sup> IFG= fiberglass (max.12 circuits)	PB= zone(s) test button <sup>1</sup> PL= zone(s) pilot lamp <sup>1</sup>  <sup>1</sup> Only with cabinets: A, B and C

EXAMPLE: U120ZCP12Z1U1CPBPL

## 2. ORDERING INFORMATION: BATTERY UNIT WITH INTERNAL ZONE SENSING OPTION

BATTERY UNIT CAT CONSTRUCT	UNIT AC INPUT		OPTIONS		
	MANDATORY FOR ZCP	ZONE SENSING INTERNAL	# OF ZONES	ZONE AC	ZONE OPTIONS
LDX Series p. 126-127 Legend DECOAB Series p. 108-109 <b>LDX242882RT9</b>	U120= 120VAC U347= 347VAC	ZCP= zone sensing	2Z= 2 zones 3Z= 3 zones  Additional zone circuits (max. 6)	1= 120VAC 3= 347VAC	PB= zone(s) test button PL= zone(s) pilot lamp

# ZCP SERIES

Zone Control Panel

## INTRODUCTION

The **Ready-Lite® ZCP** Zone Control Panel is required in buildings where the path of egress for emergency lighting crosses through several areas and each area has a separate electrical circuit and breaker for lighting. In such circumstances a local power failure in one area (zone) may not trigger the emergency lighting connected to a different electrical circuit.

The requirement for the zone control function is specified in the National Building Code of Canada and the Canadian Electrical Code:

- NBCC 9.9.12.3. 3) Lighting required in Sentence (1) shall be designed to be automatically actuated for a period of at least 30 min when the electric lighting in the affected area is interrupted.
- CEC C22.1-12 46-304 (4) Unit equipment shall be installed in such a manner that it will be automatically actuated upon failure of the power supply to the normal lighting in the area covered by that unit equipment.