

Installation instructions

Note: Lamp heads may already be attached to the canopy.

1. Determine the final position for the lamp head.
2. Look for the mark on the threaded portion of the swivel to find the center of rotation for the lamp head.
3. Insert the flat surface from the swivel into the square hole on the canopy ensuring that the center of rotation is as close as possible to the final position. Secure the lamp head in place with the lock washer and nut provided.
4. Adjust the lamp head into its final position.
5. Make the proper connections. The fixture is designed for 6, 12 or 24 VDC (see the lamp voltage indicated on the inside surface of the canopy). Connect the lamp wires to the DC supply wires.
6. Use the junction box screws to secure the canopy to the junction box.

Adjust the lamp head:

Rotation: hold the lamp head and turn it to either side.

-Note: The lamp head can be rotated 150° to either side.

Tilting: hold the lamp head and tilt it up or down.

The lamp head uses a ratchet type mechanism that moves it in 10 degree increments (see fig. 1).

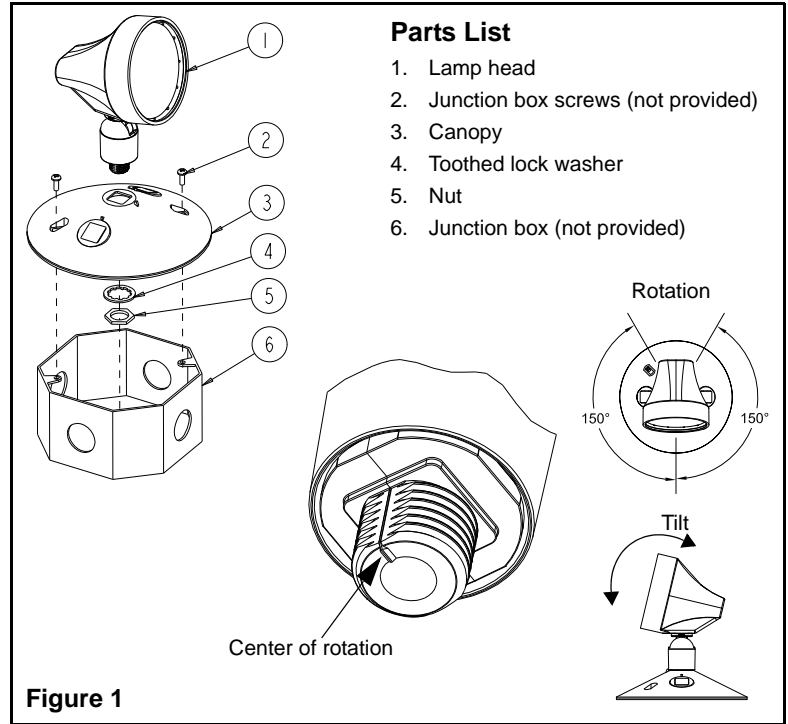


Figure 1

** FIXTURE MODEL MAY BE DIFFERENT THAN SHOWN**

Installation instructions

Note: Lamp heads may already be attached to the canopy.

1. Determine the final position for the lamp head.
2. Look for the mark on the threaded portion of the swivel to find the center of rotation for the lamp head.
3. Insert the flat surface from the swivel into the square hole on the canopy ensuring that the center of rotation is as close as possible to the final position. Secure the lamp head in place with the lock washer and nut provided.
4. Adjust the lamp head into its final position.
5. Make the proper connections. The fixture is designed for 6, 12 or 24 VDC (see the lamp voltage indicated on the inside surface of the canopy). Connect the lamp wires to the DC supply wires.
6. Use the junction box screws to secure the canopy to the junction box.

Adjust the lamp head:

Rotation: hold the lamp head and turn it to either side.

-Note: The lamp head can be rotated 150° to either side.

Tilting: hold the lamp head and tilt it up or down.

The lamp head uses a ratchet type mechanism that moves it in 10 degree increments (see fig. 1).

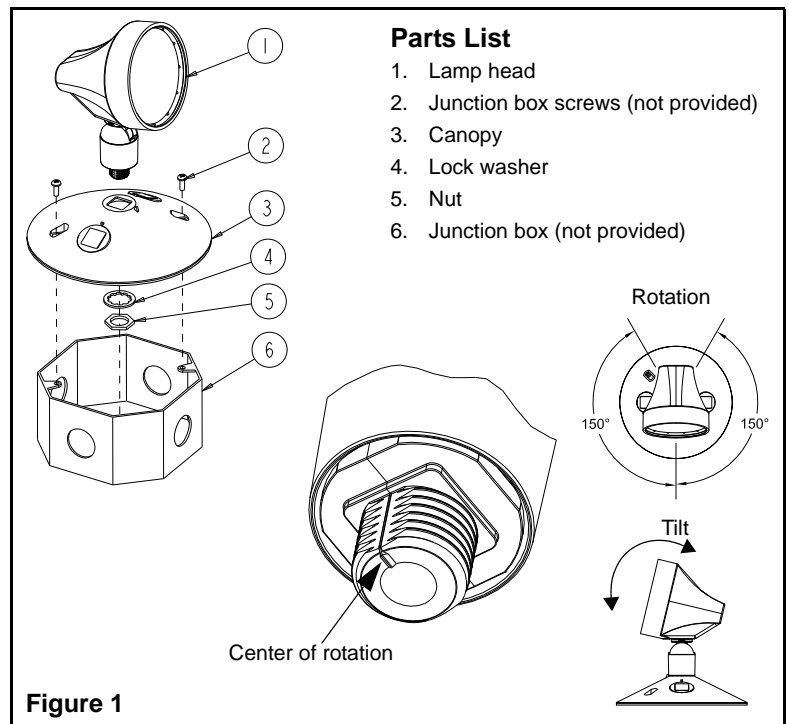


Figure 1

** FIXTURE MODEL MAY BE DIFFERENT THAN SHOWN**