

BQ2 Series

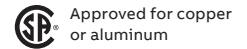
200 A 600 V; standard enclosure

Product specifications

- Conductor range: 6 AWG–250 kcmil
- Aluminum tunnel type connectors for both load and line sides
- For overhead, underground and combination overhead/underground

- Supplied with screw type ring
- Weatherproof Type 3R enclosure
- Primarily used in: All provinces

Note: Supply from an underground network often requires use of stud type connector. Consult your local utility.



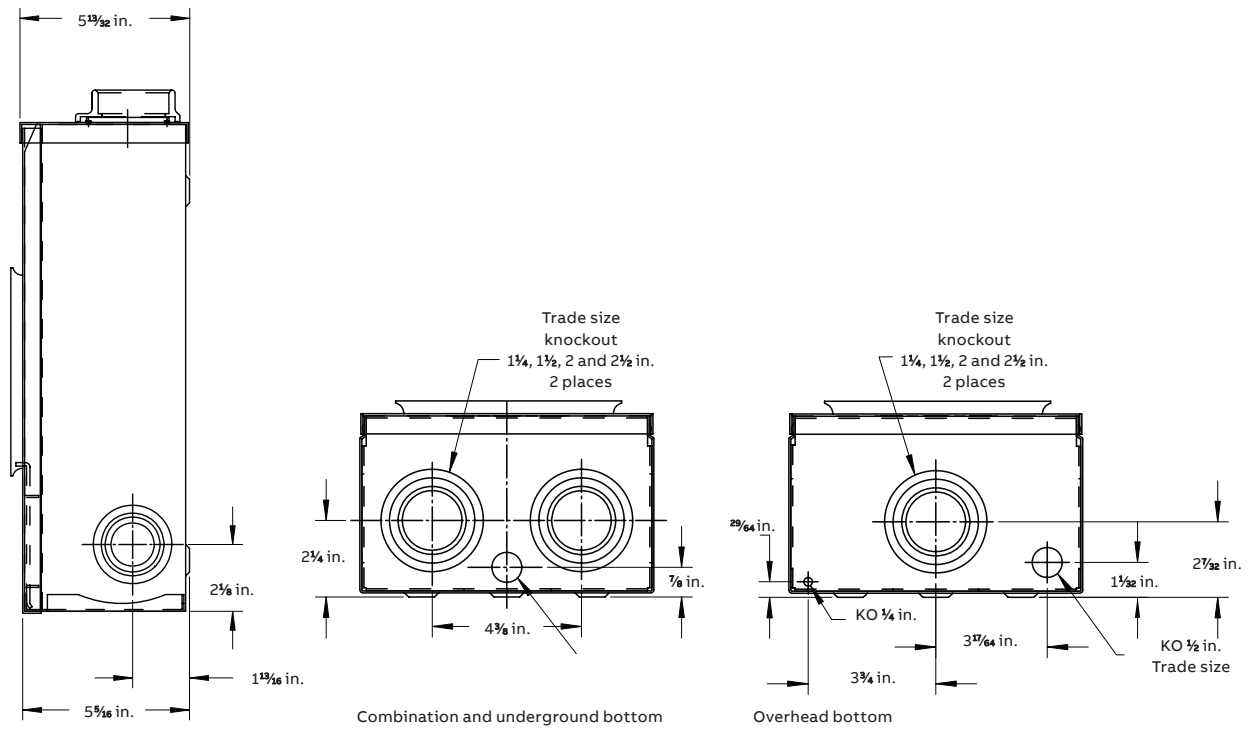
Cat. no	Description	Dimensions (in.)			Weight each	
		H	W	D	lb	kg
4 Jaw						
BQ2-V	Overhead, hub opening	15 $\frac{5}{8}$	8 $\frac{47}{64}$	5 $\frac{13}{32}$	12	5.4
BQ2-VGN	Overhead opening comes with ground lug on neutral	15 $\frac{5}{8}$	8 $\frac{47}{64}$	5 $\frac{13}{32}$	12	5.4
BQ2-VGN-CR	Overhead comes with ground lug on neutral, corrosion resistant	15 $\frac{5}{8}$	8 $\frac{47}{64}$	5 $\frac{13}{32}$	12	5.4
BQ2-1 1/2 V	Overhead, hub opening, comes with 1½ in. hub	15 $\frac{5}{8}$	8 $\frac{47}{64}$	5 $\frac{13}{32}$	12	5.4
BQ2-2V	Overhead, hub opening, comes with 2 in. hub	15 $\frac{5}{8}$	8 $\frac{47}{64}$	5 $\frac{13}{32}$	12	5.4
BQ2-2INV	Overhead, comes with 2 in. hub and insulated neutral	15 $\frac{5}{8}$	8 $\frac{47}{64}$	5 $\frac{13}{32}$	12	5.4
BQ2-2VGN	Overhead , hub opening comes with 1 ½" hub and ground lug on neutral	15 $\frac{5}{8}$	8 $\frac{47}{64}$	5 $\frac{13}{32}$	12	5.4
BQ2-TV	Underground	15 $\frac{5}{8}$	8 $\frac{47}{64}$	5 $\frac{13}{32}$	12	5.4
BQ2-INTV	Underground, comes with insulated neutral	15 $\frac{5}{8}$	8 $\frac{47}{64}$	5 $\frac{13}{32}$	12	5.4
BQ2-TVGN	Underground comes with ground lug on neutral	15 $\frac{5}{8}$	8 $\frac{47}{64}$	5 $\frac{13}{32}$	12	5.4
BQ2-TCV	Combination, overhead-underground	15 $\frac{5}{8}$	8 $\frac{47}{64}$	5 $\frac{13}{32}$	12	5.4
BQ2-TCV-CR	Combination overhead-underground, corrosion resistant	15 $\frac{5}{8}$	8 $\frac{47}{64}$	5 $\frac{13}{32}$	12	5.4
BQ2-TCVGN	Combination overhead-underground comes with ground lug on neutral	15 $\frac{5}{8}$	8 $\frac{47}{64}$	5 $\frac{13}{32}$	12	5.4
BQ2-TCVGN-CR	Combination overhead-underground comes with ground lug on neutral , corrosion resistant	15 $\frac{5}{8}$	8 $\frac{47}{64}$	5 $\frac{13}{32}$	12	5.4
BQ2-22VNH	Overhead, twin hub opening	15 $\frac{5}{8}$	8 $\frac{47}{64}$	5 $\frac{13}{32}$	12	5.4
BQ2-22INVNH	Overhead, twin hub opening, comes with insulated neutral	15 $\frac{5}{8}$	8 $\frac{47}{64}$	5 $\frac{13}{32}$	12	5.4
BQ2-22VNHGN	Overhead , twin hub opening comes with ground lug on neutral	15 $\frac{5}{8}$	8 $\frac{47}{64}$	5 $\frac{13}{32}$	12	5.4
BQ2-2VGN-CR	Overhead comes with ground lug on neutral, corrosion resistant	15 $\frac{5}{8}$	8 $\frac{47}{64}$	5 $\frac{13}{32}$	12	5.4
BQ2-22V	Overhead, twin hub opening, comes with 2 in. hubs	15 $\frac{5}{8}$	8 $\frac{47}{64}$	5 $\frac{13}{32}$	12	5.4
BQ2-22VGN	Overhead, twin hub opening comes with 2 in hubs and ground lug on neutral	15 $\frac{5}{8}$	8 $\frac{47}{64}$	5 $\frac{13}{32}$	12	5.4
Factory-installed accessories						
Include: -5					5 th jaw standard capacity	



BQ2 Series

200 A 600 V; standard enclosure

Diagrams

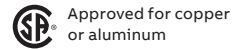


BP2-TV

200 A 600 V; standard enclosure

Product specifications

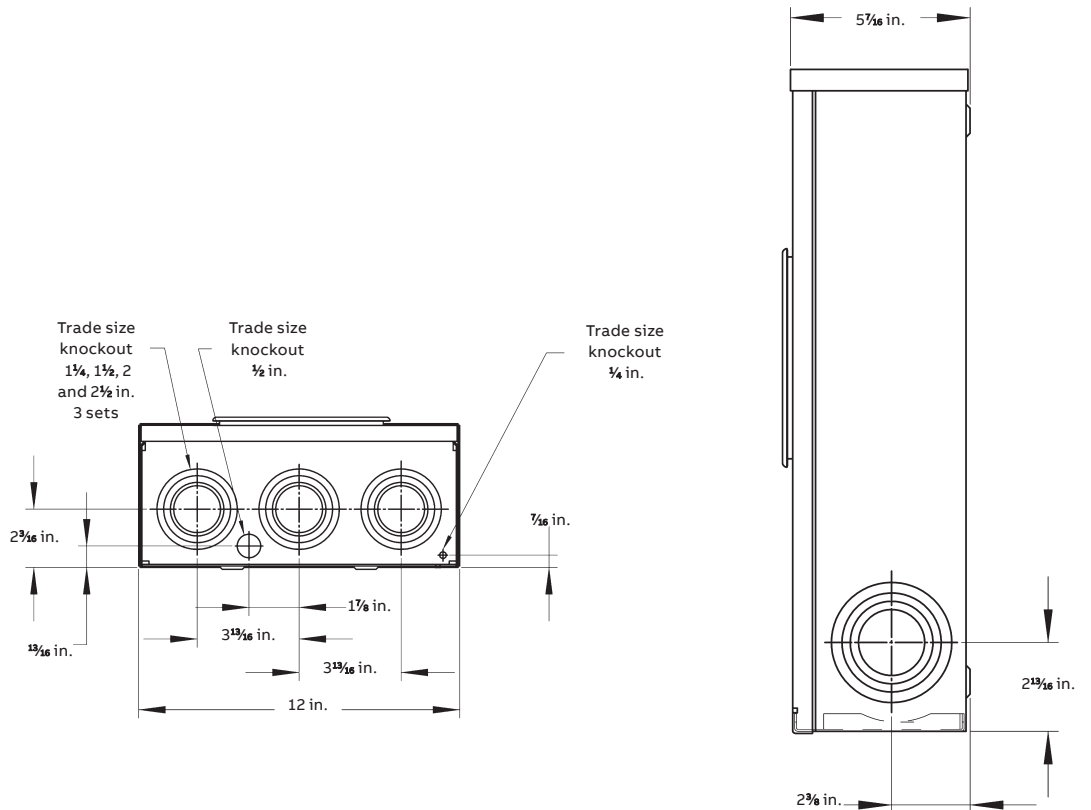
- Conductor range: 6 AWG–250 kcmil
- Aluminum tunnel type connectors for both load and line sides
- For underground service only
- Supplied with screw type ring
- Weatherproof Type 3R enclosure
- Primarily used in: Ontario



	Cat. no.	Description	Dimensions (in.)			Weight each	
			H	W	D	lb	kg
BP2-TV	BP2-TV	Underground	20	12	5 ¹ / ₁₆	16.5	7.48



Diagrams



BS2 Series

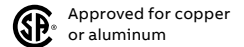
200 A 600 V; oversize enclosure

Product specifications

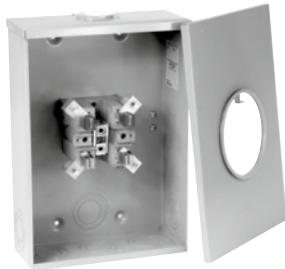
- Conductor range: 6 AWG–250 kcmil
- Aluminum tunnel type connectors for both load and line sides
- For overhead, underground and combination overhead/underground
- Supplied with screw type ring

- Weatherproof Type 3R enclosure
- Primarily used in: B.C., AB, Sask., Man., Ont., N.S.

NOTE: Supply from an underground network often requires use of stud type connector. Consult your local utility.



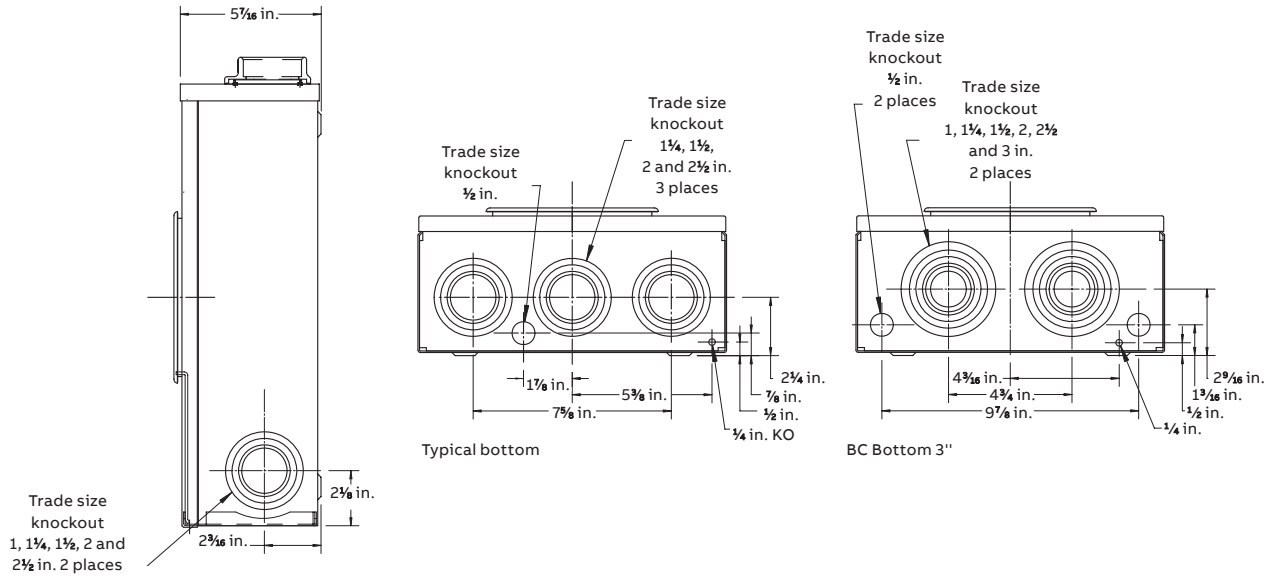
Cat. no.	Description	Dimensions (in.)			Weight each	
		H	W	D	lb	kg
4 Jaw						
BS2-V	Overhead, hub opening	17 $\frac{1}{8}$	12	5 $\frac{1}{16}$	14	6.3
BS2-INV	Overhead, hub opening comes with insulated neutral	17 $\frac{1}{8}$	12	5 $\frac{1}{16}$	14	6.3
BS2-1 1/2 V	Overhead, hub opening, comes with 1 $\frac{1}{2}$ in. hub	17 $\frac{1}{8}$	12	5 $\frac{1}{16}$	14	6.3
BS2-1 1/2 INV	Overhead, comes with 1 $\frac{1}{2}$ in. hub and insulated neutral	17 $\frac{1}{8}$	12	5 $\frac{1}{16}$	14	6.3
BS2-1 1/2 VGN	Overhead, comes with 1 $\frac{1}{2}$ in. hub and ground lug on neutral	17 $\frac{1}{8}$	12	5 $\frac{1}{16}$	14	6.3
BS2-2V	Overhead, hub opening, comes with 2 in. hub	17 $\frac{1}{8}$	12	5 $\frac{1}{16}$	14	6.3
BS2-2VGN	Overhead, comes with 2 in. hub and ground lug on neutral	17 $\frac{1}{8}$	12	5 $\frac{1}{16}$	14	6.3
BS2-TV	Underground	17 $\frac{1}{8}$	12	5 $\frac{1}{16}$	14	6.3
BS2-INTV	Underground comes with isolated neutral	17 $\frac{1}{8}$	12	5 $\frac{1}{16}$	14	6.3
BS2-TCV	Combination, overhead-underground	17 $\frac{1}{8}$	12	5 $\frac{1}{16}$	14	6.3
BS2-INTCV	Combination overhead-underground comes with isolated neutral	17 $\frac{1}{8}$	12	5 $\frac{1}{16}$	14	6.3
BS2-TCVGN	Combination overhead-underground comes with ground lug on neutral	17 $\frac{1}{8}$	12	5 $\frac{1}{16}$	14	6.3
BS2-TCVBC	Combination, overhead-underground comes with 3" ko	17 $\frac{1}{8}$	12	5 $\frac{1}{16}$	14	6.3
BS2-TCVBC-CR	Combination overhead-underground comes with 3" ko	17 $\frac{1}{8}$	12	5 $\frac{1}{16}$	14	6.3
BS2-INTCVBC	Combination, overhead-underground comes with 3" ko and insulated neutral	17 $\frac{1}{8}$	12	5 $\frac{1}{16}$	14	6.3
BS2-TCVBCGN	Combination overhead-underground comes with ground lug on neutral	17 $\frac{1}{8}$	12	5 $\frac{1}{16}$	14	6.3
BS2-22VNH	Overhead, twin hub opening	17 $\frac{1}{8}$	12	5 $\frac{1}{16}$	14	6.3
BS2-22V	Overhead, twin hub opening, comes with 2 in. hubs	17 $\frac{1}{8}$	12	5 $\frac{1}{16}$	14	6.3
Factory-installed accessories						
Include:	-5	5 th jaw, standard capacity, 9 o'clock position				



BS2 Series

200 A 600 V; oversize enclosure

Diagrams



BS2-TCVFA

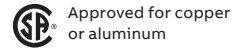
200 A, 120/240; single-phase service

Product specifications

- Line #6 AWG to 350 kcmil, load 2 x #6-4/0 AWG
- Tunnel type connectors for both load and line sides
- For underground and above ground service
- Weatherproof Type 3R enclosure

- Designed and manufactured in Canada
- Primarily used in: All provinces
Manitoba Hydro approved for overhead only

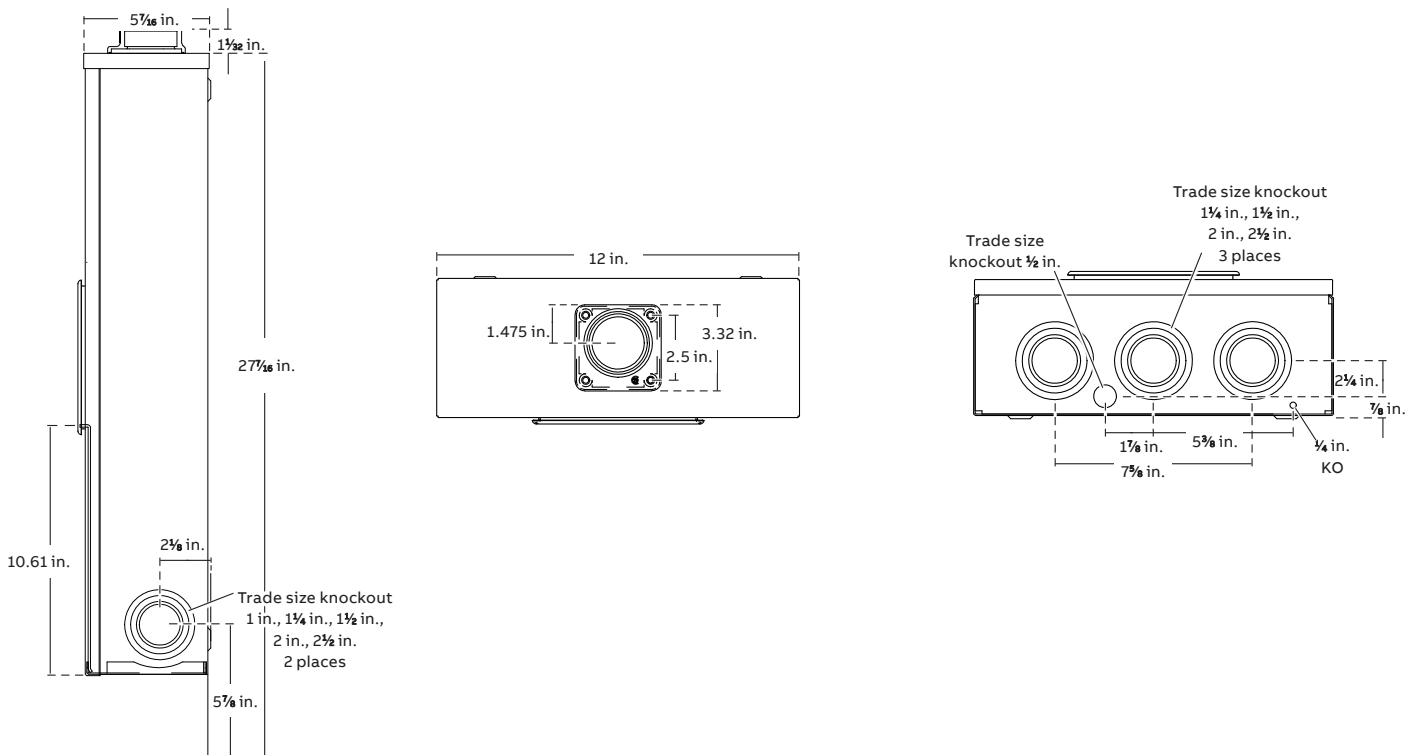
Application: When distance is a factor, larger conductors require larger connectors.



Cat. no.	Description	Dimensions (in.)			Weight Each	
		H	W	D	lb	kg
BS2-TCVGNFA	4 Jaw					
BS2-TCVGNFA	Combination overhead-underground, comes with ground lug on neutral	27 ¹ / ₁₆	12	5 ¹ / ₁₆	14	6.3



Diagrams



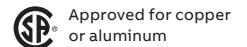
BS2L Series

200 A 600 V; oversize enclosure lay-in lug

Product specifications

- Same as BS2 series with the exception that lay-in type connectors are provided
- Conductor range: 6 AWG–250 kcmil
- Aluminum lay-in type connectors for both load and line sides

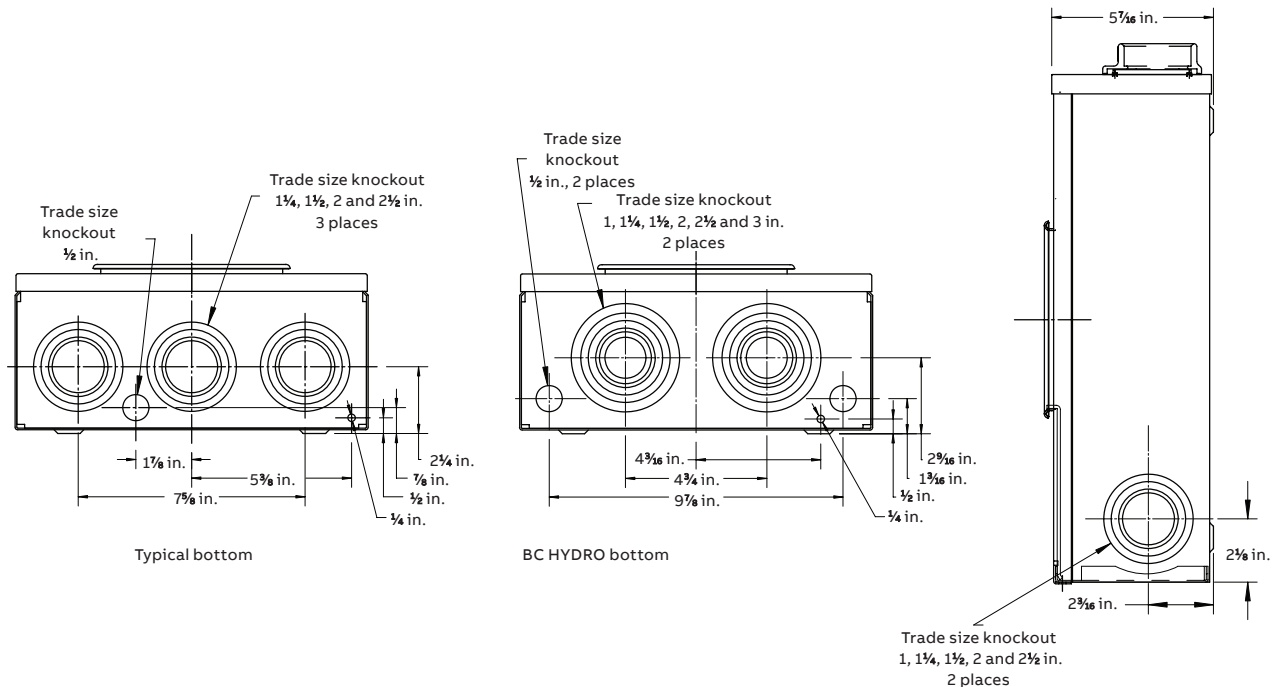
- For overhead, underground and combination overhead/underground
- Supplied with screw type ring
- Weatherproof Type 3R enclosure
- Primarily used in: B.C., Ont.



Cat. no.	Description	Dimensions (in.)			Weight each	
		H	W	D	lb	kg
4 Jaw						
BS2L-TV	200 A underground with lay-in lugs	17 $\frac{1}{8}$	12	5 $\frac{7}{16}$	16	7.2
BS2L-INTV	200 A underground with lay in lug, insulated neutral	17 $\frac{1}{8}$	12	5 $\frac{7}{16}$	16	7.2
BS2L-TCV	200 A over/under combination with lay-in lugs	17 $\frac{1}{8}$	12	5 $\frac{7}{16}$	16	7.2
BS2L-INTCV	200 A overhead-underground with lay in lugs, insulated neutral	17 $\frac{1}{8}$	12	5 $\frac{7}{16}$	16	7.2
BS2L-TCVGN	200 A underground-overhead with lay in lugs comes with ground lug on neutral	17 $\frac{1}{8}$	12	5 $\frac{7}{16}$	16	7.2
BS2L-TCVBCR	200 A over/under combination with lay-in lugs (BC Hydro)	17 $\frac{1}{8}$	12	5 $\frac{7}{16}$	16	7.2
Factory-installed accessories						
Include: -5					5 th jaw standard capacity	



Diagrams

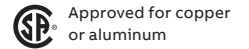


BS2M Series

200 A 600 V; oversize enclosure, subfeed on load side

Product specifications

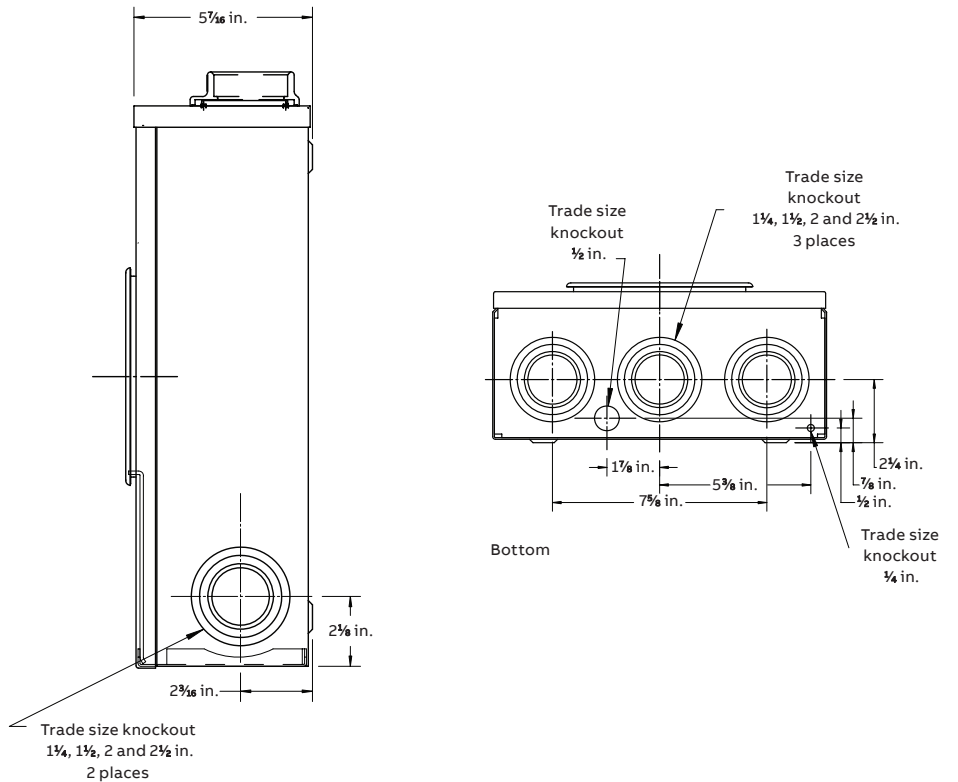
- Conductor range: line: 6 AWG–250 kcmil, load: 12–1/0 AWG
- Aluminum tunnel type connector for line side
- For overhead service only
- Dual lug subfeed for load side
- Supplied with screw type ring
- Weatherproof Type 3R enclosure
- Primarily used in: All provinces



	Cat. no.	Description	Dimensions (in.)			Weight each	
			H	W	D	lb	kg
4 Jaw							
BS2M-VGN	BS2M-VGN	Overhead, comes with ground lug on neutral	17 $\frac{1}{8}$	12	5 $\frac{1}{16}$	15	6.8



Diagrams

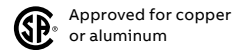


MO2 Series

200 A 600 V; underground only

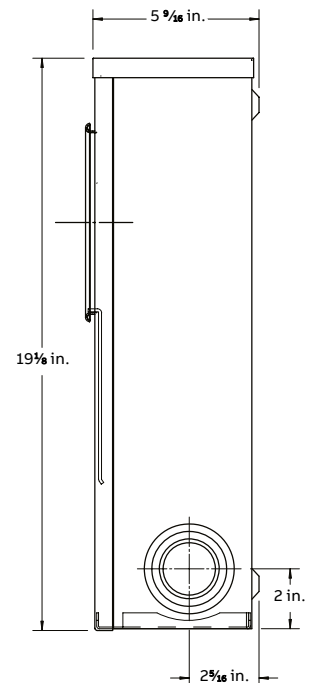
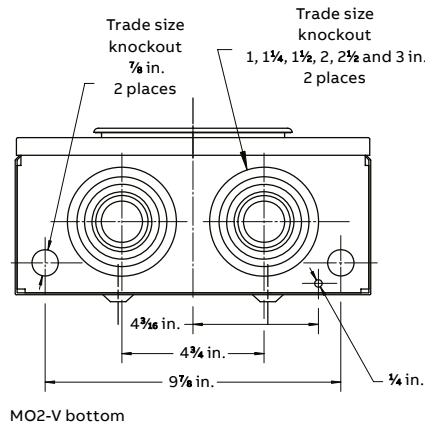
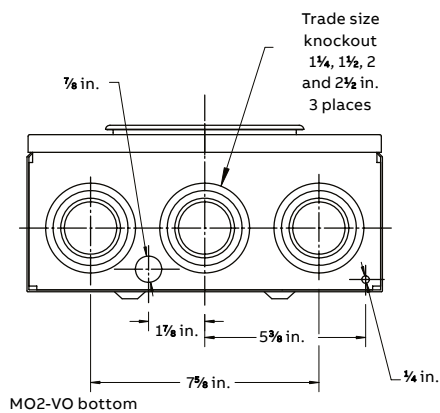
Product specifications

- Conductor range: line: single ½ in. studs to accommodate compression lugs 350 kcmil max. (supplied by utility), load: 6 AWG–250 kcmil
- For underground service only
- Aluminum tunnel type connectors for load side, ½ in. studs on line side
- Supplied with screw type ring
- Weatherproof Type 3R enclosure
- Primarily used in: Sask., Man., Ont., Que.



Cat. no.	Description	Dimensions (in.)			Weight each	
		H	W	D	lb	kg
4 Jaw						
MO2-V	Underground ½ in. studs	19 5/16	12	5 9/16	18	8.1
MO2-INV	Underground ½ in. stud comes with isolated neutral	19 5/16	12	5 9/16	18	8.1
MO2-VGN	Underground ½ stud come with ground lug on neutral	19 5/16	12	5 9/16	18	8.1
MO2-VO	Underground ½ in. studs for Ontario	19 5/16	12	5 9/16	18	8.1
MO2-INVO	Underground ½ in. stud for ontario comes with isolated neutral	19 5/16	12	5 9/16	18	8.1
MO2M-INV	Underground ½ stud c/w 2/0 subfeed on load side and isolated neutral	19 5/16	12	5 9/16	18	8.1
Factory-installed accessories						
Include: -M					2/0 AWG subfeed on load side	

Diagrams

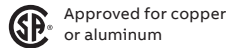


MO2 Series kit

200 A 600 V; underground only with PVC accessories

Product specifications

- Conductor range: line: single ½ in. studs to accommodate compression lugs (supplied by utility), load: 6 AWG–250 kcmil
- For underground service only
- Aluminum tunnel type connectors for load side, ½ in. studs on line side
- Supplied with screw type ring
- Weatherproof Type 3R enclosure
- Primarily used in: Quebec only



MO2-V-KIT1-1/4U

Cat. no.	Description	Qty.
Kit		
MO2-V-KIT2U	Meter socket with PVC accessories	
Consists of		
MO2-V	200 A Meter socket	1
CE942RL	3 in. PVC/DB2 adaptor	1
CI1716	2 in. Nut	2
CI1724	3 in. Nut	1
CI-DUCT-1	Duct seal	1
E943J	2 in. Male adaptor	2
E943L	3 in. Male adaptor	1
E945L	3 in. Expansion fitting	1
E977JC	2 in. Pipe strap	1
E977LC-CAR	3 in. Pipe strap	1
E986J	2 in. Conduit bodies – LB type	1
UA9AJCB-UPC	2 in. 90° Elbow	1

Diagrams

