

# Circuit Safe

## NEMA Enclosures

Circuit Safe NEMA Enclosures are the flagship product of the Carlon Enclosure offering. Molded in tough, durable polycarbonate resin, these enclosures lead the market in terms of design, durability, aesthetics and economy of use.

Ranging in size from 6" x 4" x 4" to 16" x 14" x 6", all Circuit Safe NEMA products are UL 50 Listed and meet Types 4X, 12 and 13. These enclosures utilize recognized materials that carry an ultraviolet rating of F1, ensuring a very long, stable service life when installed outdoors. In addition, the use of polycarbonate material means that these enclosures enjoy an extremely high impact-resistance rating...almost three times more impact resistant than traditional fiberglass enclosures.

Installation of components is made easy, too, with the panel adjuster kits and swing-out panel kits. Subpanels can be stacked or suspended at any depth within the enclosure, maximizing the space available for component mounting. Machining polycarbonate is also safe and easy. There are no splintering problems or airborne fibers as is typical when machining traditional fiberglass products.

Lighter, stronger, easier, safer to use and better looking. Check out Carlon's Circuit Safe NEMA line today.

### Features and benefits:

- 100% nonmetallic construction, including hinges
- Sturdy SS latches install without penetration of the enclosure base
- Clear covers are available, which eliminate the need for window kits
- All cover screws are captive
- Panel suspension system enables the installation of panels at any depth, including stacking of multiple panels
- Swing panels are also available
- Available in junction boxes, external hinge and hidden hinge versions
- Subpanels are available in steel, PVC or aluminum
- Nonmetallic mounting rails for easy installation
- Less than half the weight of metal enclosures, 25% lighter than fiberglass, easier to handle and less expensive to ship
- Full modification services are available

### Applications:

- Any outdoor applications, especially where sunlight resistance is an issue
- Applications where water is present
- Applications where damage during shipment, installation or use is an issue
- Any applications where it is necessary to view internal components through a clear cover
- Applications where weight is an issue
- Applications where the ability to pass wireless signals is needed
- Applications where rust and corrosion are an issue

### Examples:

- Septic and pump controls
- Wireless system component protection
- Marina and sea-side installations
- Controls that require through-cover viewing of readouts and dials
- Machine controls/process controls
- Food and beverage process controls
- Security system controls

### Standards:

- Meets or exceeds NEMA Types 4X, 12 and 13
- Listed per UL 50 and CSA C22.2 No.94.1 as Types 4X, 12 and 13



## Circuit Safe

### NEMA Enclosures

#### NEMA enclosure styles

—  
01 Screw cover

—  
02 External-hinge cover

—  
03 Hidden-hinge cover

Circuit Safe NEMA enclosures are available in three different cover options and a wide range of sizes. From our screw-cover style enclosures to our hidden-hinge cover style enclosures, Carlon has a Circuit Safe NEMA enclosure to meet your application-specific needs.

#### Styles

- Screw cover
- External hinge
- Hidden hinge

#### Cover color options

- Opaque
- Clear

#### Material

- Polycarbonate (bases and lids)



—  
01



—  
02



—  
03

## Screw-on covers

Meets NEMA 1, 2, 3, 3S, 3X, 3SX, 4, 4X, 12



Opaque cover



Clear cover



### Enclosure Kits

Opaque cover* Cat. No.	Clear cover* Cat. No.	Size (in.)	Back panels**		Std. Ctn.	Std. Wt. (lb) Opaque/Clear
			Steel	PVC		
NS644	NV644	6 x 4 x 4	JP64	JP64P	1	Opa 1.8/Clr 1.9
NS664	NV664	6 x 6 x 4	JP66	JP66P	1	Opa 2.4/Clr 2.4
NS864	NV864	8 x 6 x 4	JP86	JP86P	1	Opa 2.9/Clr 2.8
NS884	NV884	8 x 8 x 4	JP88	JP88P	1	Opa 3.2/Clr 3.3
NS1084	NV1084	10 x 8 x 4	JP108	JP108P	1	Opa 4.0/Clr 3.9
NS1086	NV1086	10 x 8 x 6	JP108	JP108P	1	Opa 4.6/Clr 4.5
NS10106	NV10106	10 x 10 x 6	JP1010	JP1010P	1	Opa 5.3/Clr 4.9
NS12106	NV12106	12 x 10 x 6	JP1210	JP1210P	1	Opa 6.1/Clr 5.2
NS12126	NV12126	12 x 12 x 6	JP1212	JP1212P	1	Opa 6.8/Clr 6.1
NS14126	NV14126	14 x 12 x 6	JP1412	JP1412P	1	Opa 7.4/Clr 7.0
NS16146	NV16146	16 x 14 x 6	JP1614	JP1614P	1	Opa 9.2/Clr 8.1

\* Include body, lid and mounting rail kit.

\*\* Order back panels separately.



### Individual Components

Enclosure base* Cat. No.	Enclosure size (in.)	Std. Ctn.	Std. Wt. (lb)	Enclosure lids		Std. Ctn.	Std. Wt. (lb)	Back panels**		Std. Ctn.
				Opaque lids	Clear lids			Steel Cat. No	PVC Cat. No	
NP644B	6 x 4 x 4	18	21	NS64L	NV64L	16	Opa 6.4/Clr 5.7	JP64	JP64P	1
NP664B	6 x 6 x 4	12	17	NS66L	NV66L	12	Opa 6.2/Clr 5.7	JP66	JP66P	1
NP864B	8 x 6 x 4	12	18	NS86L	NV86L	9	Opa 6/Clr 4.4	JP86	JP86P	1
NP884B	8 x 8 x 4	14	28	NS88L	NV88L	18	Opa 14/Clr 11.2	JP88	JP88P	1
NP1084B	10 x 8 x 4	12	26	NS108L	NV108L	12	Opa 13/Clr 11	JP108	JP108P	1
NP1086B	10 x 8 x 6	8	23	NS108L	NV108L	12	Opa 13/Clr 11	JP108	JP108P	1
NP1010B	10 x 10 x 6	6	20	NS1010L	NV1010L	11	Opa 14/Clr 12	JP1010	JP1010P	1
NP1210B	12 x 10 x 6	6	23	NS1210L	NV1210L	12	Opa 15/Clr 15	JP1210	JP1210P	1
NP1212B	12 x 12 x 6	5	22	NS1212L	NV1212L	10	Opa 15/Clr 14	JP1212	JP1212P	1
NP1412B	14 x 12 x 6	5	24	NS1412L	NV1412L	5	Opa 9/Clr 9	JP1412	JP1412P	1
NP1614B	16 x 14 x 6	4	31	NS1614L	NV1614L	5	Opa 11/Clr 11	JP1614	JP1614P	1

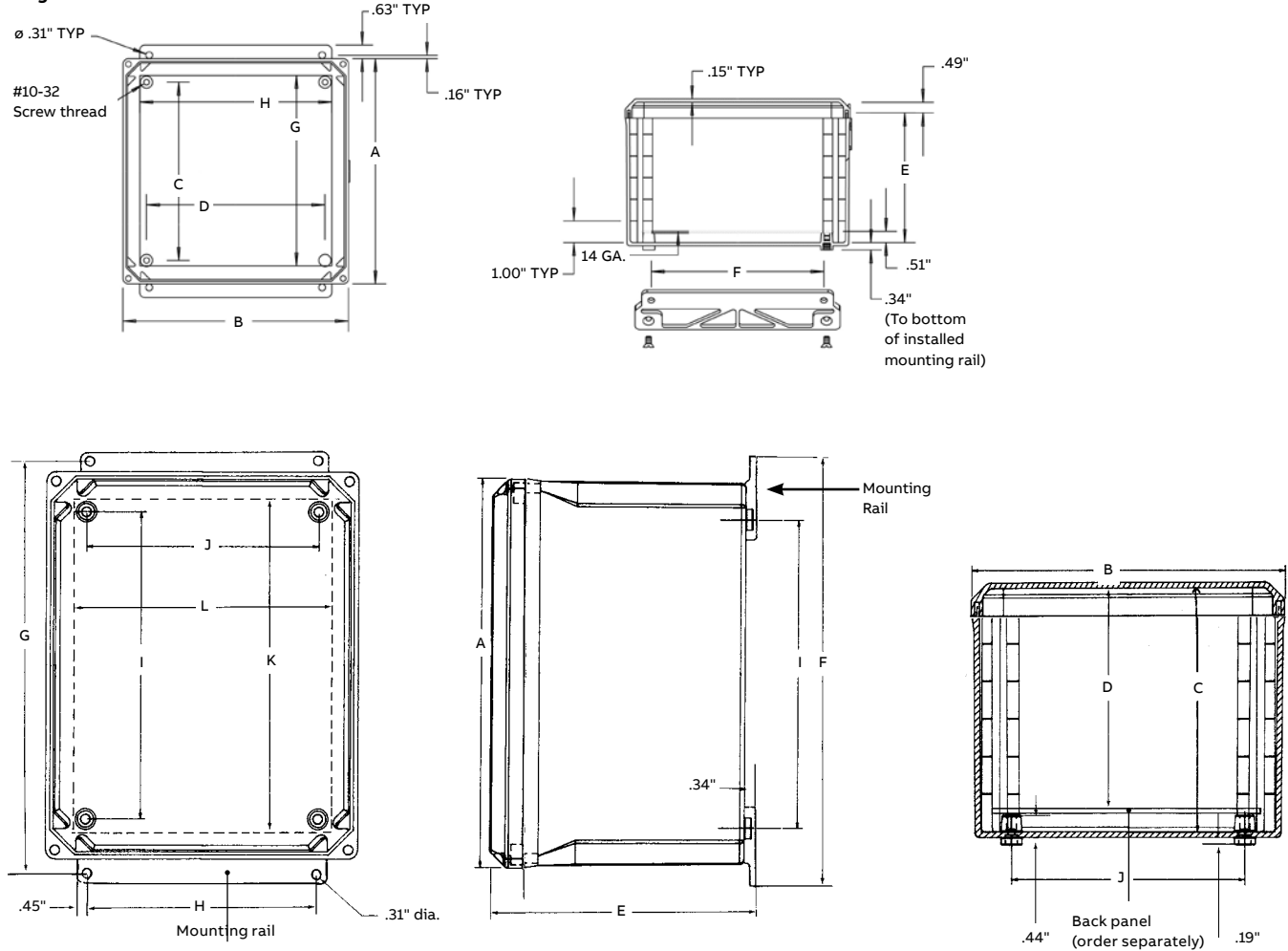
\* Mounting rails are not included. See "mounting rails" on page E31.

\*\* Order back panels separately.

## Screw-on covers

Meets NEMA 1, 2, 3, 3S, 3X, 3SX, 4, 4X, 12

### Diagrams



### Individual components (continued)

Enclosure with		Enclosure size (In.)						Enclosure mounting hole spacing		Panel mounting hole spacing		Back panel size		Back panel** Cat. No	
Opaque lid Cat. No	Clear lid Cat. No	A	B	C	D	E	F	G	H	I	J	K	L	Steel	PVC
NS644	NV644	6.40	4.40	4.49	3.98	5.13	7.69	6.75	2.00	4.29	2.28	4.88	2.88	JP64	JP64P
NS664	NV664	6.40	6.40	4.49	3.98	5.13	7.69	6.75	4.00	4.28	4.28	4.88	4.88	JP66	JP66P
NS864	NV864	8.40	6.40	4.49	3.98	5.13	9.69	8.75	4.00	6.27	4.26	6.75	4.88	JP86	JP86P
NS884	NV884	8.40	8.40	4.49	3.98	5.13	9.69	8.75	6.00	6.30	6.30	6.75	6.88	JP88	JP88P
NS1084	NV1084	10.40	8.40	4.49	3.98	5.13	11.69	10.75	6.00	8.34	6.30	8.75	6.88	JP108	JP108P
NS1086	NV1086	10.40	8.40	6.49	5.98	7.13	11.69	10.75	6.00	8.34	6.30	8.75	6.88	JP108	JP108P
NS10106	NV10106	10.40	10.40	6.49	5.98	7.13	11.69	10.75	8.00	8.29	8.29	8.75	8.88	JP1010	JP1010P
NS12106	NV12106	12.40	10.40	6.49	5.98	7.13	13.69	12.75	8.00	10.30	8.28	10.75	8.88	JP1210	JP1210P
NS12126	NV12126	12.40	12.40	6.49	5.98	7.13	13.69	12.75	10.00	10.24	10.24	10.75	10.88	JP1212	JP1212P
NS14126	NV14126	14.40	12.40	6.49	5.98	7.13	15.69	14.75	10.00	12.26	10.24	12.75	10.88	JP1412	JP1412P
NS16146	NV16146	16.40	14.40	6.49	5.98	7.13	17.69	16.75	12.00	14.26	12.26	14.75	12.88	JP1614	JP1612P

\* Include body, lid and mounting rail kit.

\*\* Order back panels separately (10/32 - 3/8 back panel screws not supplied).



## Hidden-hinge covers

Meets NEMA 1, 2, 3, 3S, 3X, 3SX, 4, 4X, 12



Opaque cover



Clear cover



### Enclosure kits

Opaque cover* Cat. No.	Clear cover* Cat. No.	Size (in.)	Back panels**		Std. Ctn.	Std. Wt. (lb) Opaque/Clear
			Steel	PVC		
NH644	NI644	6 x 4 x 5†	JP64	JP64P	1	Opa 2.2/Clr 2.8
NH664	NI664	6 x 6 x 5	JP66	JP66P	1	Opa 2.7/Clr 3.2
NH864	NI864	8 x 6 x 5	JP86	JP86P	1	Opa 3.3/Clr 3.8
NH884	NI884	8 x 8 x 5	JP88	JP88P	1	Opa 3.8/Clr 3.8
NH1084	NI1084	10 x 8 x 5	JP108	JP108P	1	Opa 4.0/Clr 4.5
NH1086	NI1086	10 x 8 x 7	JP108	JP108P	1	Opa 5.2/Clr 5.1
NH10106	NI10106	10 x 10 x 7	JP1010	JP1010P	1	Opa 5.7/Clr 5.8
NH12106	NI12106	12 x 10 x 7	JP1210	JP1210P	1	Opa 6.9/Clr 6.1
NH12126	NI12126	12 x 12 x 7	JP1212	JP1212P	1	Opa 7.7/Clr 7.2
NH14126	NI14126	14 x 12 x 7	JP1412	JP1412P	1	Opa 8.3/Clr 7.9
NH16146	NI16146	16 x 14 x 7	JP1614	JP1614P	1	Opa 10.1/Clr 9.6

\* Include body, cover assembly and mounting rail kit.

\*\* Order back panels separately.

† 6 x 4 x 5 size not available with quick-release latches.



### Individual components

Enclosure base*				Enclosure lids				Collars			Back panels**		Latches			
Cat. No.	Enclosure size (in.)	Std. Ctn.	Std. Wt. (lb)	Opaque lids Cat. No.	Clear lids Cat. No.	Std. Ctn.	Std. Wt. (lb)	Cat. No.	Std. Ctn.	Std. Wt. (lb)	Steel Cat. No.	PVC Cat. No.	Std. Ctn.	Steel latch Cat. No.	Non-metallic latch Cat. No.	Std. Ctn.
NP644B	6 x 4 x 5†	18	21	NH64L	NI64L	16	Opa 6.8/Clr 6.3	NH64C	16	6	JP64	JP64P	1	SSLS	NPLIS	25
NP664B	6 x 4 x 5	12	17	NH66L	NI66L	12	Opa 6.8/Clr 6.3	NH66C	12	5	JP66	JP66P	1	SSLS	NPLIS	25
NP864B	8 x 6 x 5	12	18	NH86L	NI86L	9	Opa 6.3/Clr 5.7	NH86C	9	4	JP86	JP86P	1	SSLS	NPLIS	25
NP884B	8 x 8 x 5	14	28	NH88L	NI88L	18	Opa 16/Clr 15	NH88C	9	3.6	JP88	JP88P	1	SSLS	NPLIS	25
NP1084B	10 x 8 x 5	12	26	NH108L	NI108L	12	Opa 13/Clr 12	NH108C	12	7.8	JP108	JP108P	1	SSLS	NPLIS	25
NP1086B	10 x 8 x 7	8	23	NH108L	NI108L	12	Opa 13/Clr 12	NH108C	12	7.8	JP108	JP108P	1	SSLS	NPLIS	25
NP1010B	10 x 10 x 7	6	20	NH1010L	NI1010L	11	Opa 14/Clr 13	NH1010C	11	7.5	JP1010	JP1010P	1	SSLS	NPLIS	25
NP1210B	12 x 10 x 7‡	6	23	NH1210L	NI1210L	12	Opa 17/Clr 6	NH1210C	12	8	JP1210	JP1210P	1	SSLS	NPLIS	25
NP1212B	12 x 12 x 7‡	5	22	NH1212L	NI1212L	10	Opa 17/Clr 16	NH1212C	10	7.7	JP1212	JP1212P	1	SSLS	NPLIS	25
NP1412B	14 x 12 x 7‡	5	24	NH1412L	NI1412L	5	Opa 10/Clr 10	NH1412C	5	4.7	JP1412	JP1412P	1	SSLS	NPLIS	25
NP1614B	16 x 14 x 7‡	4	31	NH1614L	NI1614L	5	Opa 13/Clr 12	NH1614C	5	5.6	JP1614	JP1614P	1	SSLS	NPLIS	25

\* Mounting rails are not included. See "mounting rails" listed on page E30.

\*\* Order back panels separately.

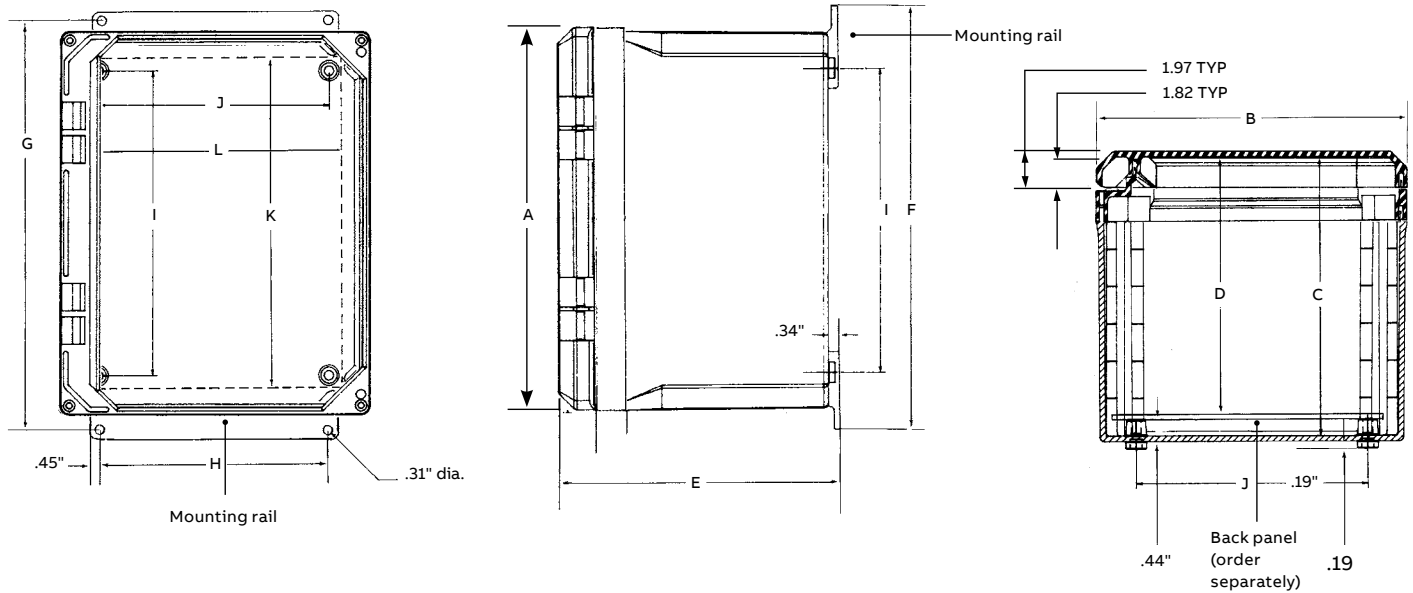
† 6 x 4 x 5 enclosures are not available with quick-release latches.

‡ Sizes 12 x 10 and larger require two (2) latches per enclosure.

## Hidden-hinge covers

Meets NEMA 1, 2, 3, 3S, 3X, 3SX, 4, 4X, 12

### Diagrams



### Individual components (continued)

Enclosure with Opaque lid Cat. No*	Clear lid Cat. No*	Enclosure size (In.)						Enclosure mounting hole spacing		Panel mounting hole spacing		Back panel size		Back panel** Cat. No	
		A	B	C	D	E	F	G	H	I	J	K	L	Steel	PVC
NH644	NI644	6.40	4.40	5.30	4.79	5.94	7.69	6.75	2.00	4.29	2.28	4.88	2.88	JP64	JP64P
NH664	NI664	6.40	6.40	5.30	4.79	5.94	7.69	6.75	4.00	4.28	4.28	4.88	4.88	JP66	JP66P
NH864	NI864	8.40	6.40	5.30	4.79	5.94	9.69	8.75	4.00	6.27	4.26	6.75	4.88	JP86	JP86P
NH884	NI884	8.40	8.40	5.30	4.79	5.94	9.69	8.75	6.00	6.30	6.30	6.75	6.88	JP88	JP88P
NH1084	NI1084	10.40	8.40	5.30	4.79	5.94	11.69	10.75	6.00	8.34	6.30	8.75	6.88	JP108	JP108P
NH1086	NI1086	10.40	8.40	7.30	6.79	7.94	11.69	10.75	6.00	8.34	6.30	8.75	6.88	JP108	JP108P
NH10106	NI10106	10.40	10.40	7.30	6.79	7.94	11.59	10.75	8.00	8.29	8.29	8.75	8.88	JP1010	JP1010P
NH12106	NI12106	12.40	10.40	7.30	6.79	7.94	13.69	12.75	8.00	10.30	8.28	10.75	8.88	JP1210	JP1210P
NH12126	NI12126	12.40	12.40	7.30	6.79	7.94	13.69	12.75	10.00	10.24	10.24	10.75	10.88	JP1212	JP1212P
NH14126	NI14126	14.40	12.40	7.30	6.79	7.94	15.69	14.75	10.00	12.26	10.24	12.75	10.88	JP1412	JP1412P
NH16146	NI16146	16.40	14.40	7.30	6.79	7.94	17.69	16.75	12.00	14.26	12.26	14.75	12.88	JP1614	JP1612P

\* Include body, lid and mounting rail kit.

\*\* Order back panels separately (10/32 - 3/8 back panel screws not supplied).

## External-hinge covers

Meets NEMA 1, 2, 3, 3S, 3X, 3SX, 4, 4X, 12



Opaque cover



Clear cover



### Enclosure kits

Opaque cover* Cat. No.	Clear cover* Cat. No.	Back panels** Steel	Back panels** PVC	Size (in.)	Std. Ctn.	Std. Wt. (lb) Opaque/Clear
NJ664	NC664	JP66	JP66P	6 x 6 x 4	1	Opa 2.4/Clr 2.4
NJ864	NC864	JP86	JP86P	8 x 6 x 4	1	Opa 2.9/Clr 2.9
NJ884	NC884	JP88	JP88P	8 x 8 x 4	1	Opa 3.3/Clr 3.3
NJ1084	NC1084	JP108	JP108P	10 x 8 x 4	1	Opa 4/Clr 4
NJ1086	NC1086	JP108	JP108P	10 x 8 x 6	1	Opa 4.6/Clr 4.7
NJ10106	NC10106	JP1010	JP1010P	10 x 10 x 6	1	Opa 5.6/Clr 5.3
NJ12106	NC12106	JP1210	JP1210P	12 x 10 x 6	1	Opa 6.3/Clr 5.8
NJ12126	NC12126	JP1212	JP1212P	12 x 12 x 6	1	Opa 6.9/Clr 6.6
NJ14126	NC14126	JP1412	JP1412P	14 x 12 x 6	1	Opa 7.7/Clr 7
NJ16146	NC16146	JP1614	JP1614P	16 x 14 x 6	1	Opa 8.2/Clr 8

\* Include body, lid and mounting rail kit.

\*\* Order back panels separately.



### Individual components

Enclosure base*	Enclosure lids				Back panels**				Latches				
	Enclosure size (in.)	Std. Ctn.	Std. Wt. (lb)	Opaque lids Cat. No.	Clear lids Cat. No.	Std. Ctn.	Std. Wt. (lb)	Steel Cat. No.	PVC Cat. No.	Std. Ctn.	Steel latch Cat. No.	Non-metallic latch Cat. No.	Std. Ctn.
NL664B	6 x 6 x 4	12	18	NJ66L	NC66L	12	Opa 5.0/Clr 5.9	JP66	JP66P	1	SSLS	NPLIS	25
NL864B	8 x 6 x 4	8	14	NJ86L	NC86L	9	Opa 6/Clr 5.3	JP86	JP86P	1	SSLS	NPLIS	25
NL884B	8 x 8 x 4	14	28	NJ88L	NC88L	18	Opa 15/Clr 13.5	JP88	JP88P	1	SSLS	NPLIS	25
NL1084B	10 x 8 x 4	12	32	NJ108L	NC108L	12	Opa 13/Clr 11.7	JP108	JP108P	1	SSLS	NPLIS	25
NL1086B	10 x 8 x 6	8	15	NJ108L	NC108L	12	Opa 13/Clr 11.7	JP108	JP108P	1	SSLS	NPLIS	25
NL1010B	10 x 10 x 6	6	20	NJ1010L	NC1010L	11	Opa 14/Clr 13	JP1010	JP1010P	1	SSLS	NPLIS	25
NL1210B	12 x 10 x 6 <sup>‡</sup>	6	24	NJ1210L	NC1210L	12	Opa 14/Clr 15	JP1210	JP1210P	1	SSLS	NPLIS	25
NL1212B	12 x 12 x 6 <sup>‡</sup>	5	21.8	NJ1212L	NC1212L	10	Opa 16/Clr 14	JP1212	JP1212P	1	SSLS	NPLIS	25
NL1412B	14 x 12 x 6 <sup>‡</sup>	4	19	NJ1412L	NC1412L	5	Opa 10/Clr 9	JP1412	JP1412P	1	SSLS	NPLIS	25
NL1614B	16 x 14 x 6 <sup>‡</sup>	4	31	NJ1614L	NC1614L	5	Opa 13.5/Clr 12	JP1614	JP1614P	1	SSLS	NPLIS	25

\* Mounting rails are not included. See mounting rails on page E30.

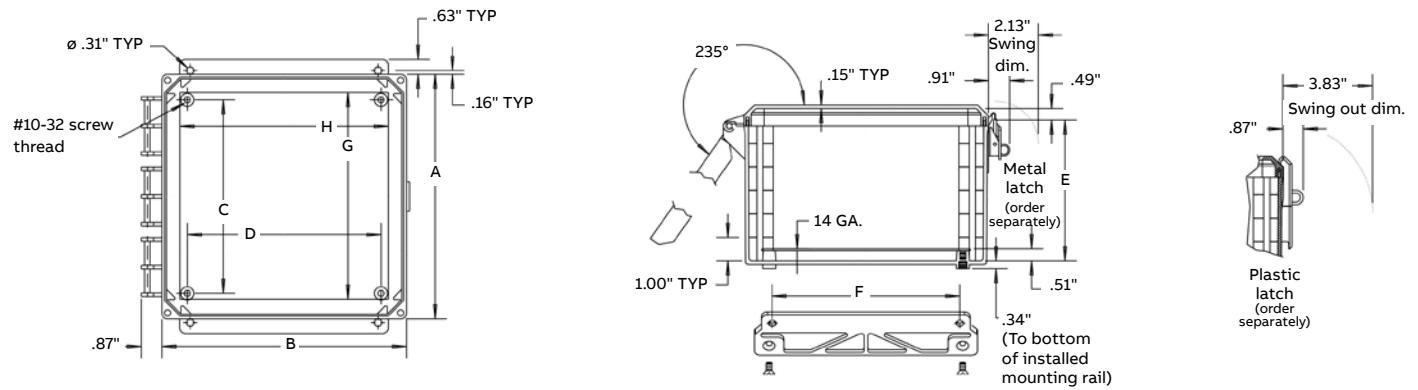
\*\* Order back panels separately.

‡ Sizes 12 x 10 and larger require two (2) latches per enclosure.

## External-hinge covers

Meets NEMA 1, 2, 3, 3S, 3X, 3SX, 4, 4X, 12

### Diagrams



### Individual components (continued)

Enclosure with Opaque lid Cat. No*	Clear lid Cat. No*	Enclosure size (In.)						Enclosure mounting hole spacing		Panel mounting hole spacing		Back panel size		Back panel** Cat. No.	
		A	B	C	D	E	F	G	H	I	J	K	L	Steel	PVC
NJ644	NC644	6.40	4.40	4.49	3.98	5.13	7.69	6.75	2.00	4.29	2.28	4.88	2.88	JP64	JP64P
NJ664	NC664	6.40	6.40	4.49	3.98	5.13	7.69	6.75	4.00	4.28	4.28	4.88	4.88	JP66	JP66P
NJ864	NC864	8.40	6.40	4.49	3.98	5.13	9.69	8.75	4.00	6.27	4.26	6.75	4.88	JP86	JP86P
NJ884	NC884	8.40	8.40	4.49	3.98	5.13	9.69	8.75	6.00	6.30	6.30	6.75	6.88	JP88	JP88P
NJ1084	NC1084	10.40	8.40	4.49	3.98	5.13	11.69	10.75	6.00	8.34	6.30	8.75	6.88	JP108	JP108P
NJ1086	NC1086	10.40	8.40	6.49	5.98	7.13	11.69	10.75	6.00	8.34	6.30	8.75	6.88	JP108	JP108P
NJ10106	NC10106	10.40	10.40	6.49	5.98	7.13	11.69	10.75	8.00	8.29	8.29	8.75	8.88	JP1010	JP1010P
NJ12106	NC12106	12.40	10.40	6.49	5.98	7.13	13.69	12.75	8.00	10.30	8.28	10.75	8.88	JP1210	JP1210P
NJ12126	NC12126	12.40	12.40	6.49	5.98	7.13	13.69	12.75	10.00	10.24	10.24	10.75	10.88	JP1212	JP1212P
NJ14126	NC14126	14.40	12.40	6.49	5.98	7.13	15.69	14.75	10.00	12.26	10.24	12.75	10.88	JP1412	JP1412P
NJ16146	NC16146	16.40	14.40	6.49	5.98	7.13	17.69	16.75	12.00	14.26	12.26	14.75	12.88	JP1614	JP1614P

\* Include body, lid and mounting rail kit.

\*\* Order back panels separately (10/32 - 3/8 Back Panel screws not supplied).





# Quick Reference



## Screw-on cover styles

Enclosure kits (no panel or latches)						Individual components	
Opaque lid	Clear lid	Body	Lid	Collar	Mtg. rails	Steel	PVC
NS644		NP644B	NS64L	N/A	NMK4V	JP64	JP64P
	NV644	NP644B	NV64L	N/A	NMK4V	JP64	JP64P
NS664		NP664B	NS66L	N/A	NMK6V	JP66	JP66P
	NV664	NP664B	NV66L	N/A	NMK6V	JP66	JP66P
NS864		NP864B	NS86L	N/A	NMK6V	JP86	JP86P
	NV864	NP864B	NV86L	N/A	NMK6V	JP86	JP86P
NS884		NP884B	NS88L	N/A	NMK8V	JP88	JP88P
	NV884	NP884B	NV88L	N/A	NMK8V	JP88	JP88P
NS1084		NP1084B	NS108L	N/A	NMK8V	JP108	JP108P
	NV1084	NP1084B	NV108L	N/A	NMK8V	JP108	JP108P
NS1086		NP1086B	NS108L	N/A	NMK8V	JP108	JP108P
	NV1086	NP1086B	NV108L	N/A	NMK8V	JP108	JP108P
NS10106		NP1010B	NS1010L	N/A	NMK10V	JP1010	JP1010P
	NV10106	NP1010B	NV1010L	N/A	NMK10V	JP1010	JP1010P
NS12106		NP1210B	NS1210L	N/A	NMK10V	JP1210	JP1210P
	NV12106	NP1210B	NV1210L	N/A	NMK10V	JP1210	JP1210P
NS12126		NP1212B	NS1212L	N/A	NMK12V	JP1212	JP1212P
	NV12126	NP1212B	NV1212L	N/A	NMK12V	JP1212	JP1212P
NS14126		NP1412B	NS1412L	N/A	NMK12V	JP1412	JP1412P
	NV14126	NP1412B	NV1412L	N/A	NMK12V	JP1412	JP1412P
NS16146		NP1614B	NS1614L	N/A	NMK14V	JP1614	JP1614P
	NV16146	NP1614B	NV1614L	N/A	NMK14V	JP1614	JP1614P



## External-hinge cover styles

Enclosure kits (no panel or latches)						Individual components			
Opaque lid	Clear lid	Body	Lid	Collar	Mtg. Rails	Back panels		Latches (Qty. needed)	
						Steel	PVC	Steel	Nonmetallic
NJ644		NL644B	NJ64L	N/A	NMK4V	JP64	JP64P	SSLS (1)	NPL1S (1)
	NC644	NL644B	NC64L	N/A	NMK4V	JP64	JP64P	SSLS (1)	NPL1S (1)
NJ664		NL664B	NJ66L	N/A	NMK6V	JP66	JP66P	SSLS (1)	NPL1S (1)
	NC664	NL664B	NC66L	N/A	NMK6V	JP66	JP66P	SSLS (1)	NPL1S (1)
NJ864		NL864B	NJ86L	N/A	NMK6V	JP86	JP86P	SSLS (1)	NPL1S (1)
	NC864	NL864B	NC86L	N/A	NMK6V	JP86	JP86P	SSLS (1)	NPL1S (1)
NJ884		NL884B	NJ88L	N/A	NMK8V	JP88	JP88P	SSLS (1)	NPL1S (1)
	NC884	NL884B	NC88L	N/A	NMK8V	JP88	JP88P	SSLS (1)	NPL1S (1)
NJ1084		NL1084B	NJ108L	N/A	NMK8V	JP108	JP108P	SSLS (1)	NPL1S (1)
	NC1084	NL1084B	NC108L	N/A	NMK8V	JP108	JP108P	SSLS (1)	NPL1S (1)
NJ1086		NL1086B	NJ108L	N/A	NMK8V	JP108	JP108P	SSLS (1)	NPL1S (1)
	NC1086	NL1086B	NC108L	N/A	NMK8V	JP108	JP108P	SSLS (1)	NPL1S (1)
NJ10106		NL1010B	NJ1010L	N/A	NMK10V	JP1010	JP1010P	SSLS (1)	NPL1S (1)
	NC10106	NL1010B	NC1010L	N/A	NMK10V	JP1010	JP1010P	SSLS (1)	NPL1S (1)
NJ12106		NL1210B	NJ1210L	N/A	NMK10V	JP1210	JP1210P	SSLS (2)	NPL1S (2)
	NC12106	NL1210B	NC1210L	N/A	NMK10V	JP1210	JP1210P	SSLS (2)	NPL1S (2)
NJ12126		NL1212B	NJ1212L	N/A	NMK12V	JP1212	JP1212P	SSLS (2)	NPL1S (2)
	NC12126	NL1212B	NC1212L	N/A	NMK12V	JP1212	JP1212P	SSLS (2)	NPL1S (2)
NJ14126		NL1412B	NJ1412L	N/A	NMK12V	JP1412	JP1412P	SSLS (2)	NPL1S (2)
	NC14126	NL1412B	NC1412L	N/A	NMK12V	JP1412	JP1412P	SSLS (2)	NPL1S (2)
NJ16146		NL1614B	NJ1614L	N/A	NMK14V	JP1614	JP1614P	SSLS (2)	NPL1S (2)
	NC16146	NL1614B	NC1614L	N/A	NMK14V	JP1614	JP1614P	SSLS (2)	NPL1S (2)

# Quick Reference



## Hidden-hinge cover styles

Enclosure kits (no panel or latches)								Individual components	
Opaque lid	Clear lid	Body	Lid	Collar	Mtg. Rails	Back panels		Latches (Qty. needed)	
						Steel	PVC	Steel	Nonmetallic
NH644		NP644B	NH64L	NH64C	NMK4V	JP64	JP64P	SSLL (1)	NPL1L (1)
	NI644	NP644B	NI64L	NH64C	NMK4V	JP64	JP64P	SSLL (1)	NPL1L (1)
NH664		NP664B	NH66L	NH66C	NMK6V	JP66	JP66P	SSLL (1)	NPL1L (1)
	NI664	NP664B	NI66L	NH66C	NMK6V	JP66	JP66P	SSLL (1)	NPL1L (1)
NH864		NP864B	NH86L	NH86C	NMK6V	JP86	JP86P	SSLL (1)	NPL1L (1)
	NI864	NP864B	NI86L	NH86C	NMK6V	JP86	JP86P	SSLL (1)	NPL1L (1)
NH884		NP884B	NH88L	NH88C	NMK8V	JP88	JP88P	SSLL (1)	NPL1L (1)
	NI884	NP884B	NI88L	NH88C	NMK8V	JP88	JP88P	SSLL (1)	NPL1L (1)
NH1084		NP1084B	NH108L	NH108C	NMK8V	JP108	JP108P	SSLL (1)	NPL1L (1)
	NI1084	NP1084B	NI108L	NH108C	NMK8V	JP108	JP108P	SSLL (1)	NPL1L (1)
NH1086		NP1086B	NH108L	NH108C	NMK8V	JP108	JP108P	SSLL (1)	NPL1L (1)
	NI1086	NP1086B	NI108L	NH108C	NMK8V	JP108	JP108P	SSLL (1)	NPL1L (1)
NH10106		NP1010B	NH1010L	NH1010C	NMK10V	JP1010	JP1010P	SSLL (1)	NPL1L (1)
	NI10106	NP1010B	NI1010L	NH1010C	NMK10V	JP1010	JP1010P	SSLL (1)	NPL1L (1)
NH12106		NP1210B	NH1210L	NH1210C	NMK10V	JP1210	JP1210P	SSLL (2)	NPL1L (2)
	NI12106	NP1210B	NI1210L	NH1210C	NMK10V	JP1210	JP1210P	SSLL (2)	NPL1L (2)
NH12126		NP1212B	NH1212L	NH1212C	NMK12V	JP1212	JP1212P	SSLL (2)	NPL1L (2)
	NI12126	NP1212B	NI1212L	NH1212C	NMK12V	JP1212	JP1212P	SSLL (2)	NPL1L (2)
NH14126		NP1412B	NH1412L	NH1412C	NMK12V	JP1412	JP1412P	SSLL (2)	NPL1L (2)
	NI14126	NP1412B	NI1412L	NH1412C	NMK12V	JP1412	JP1412P	SSLL (2)	NPL1L (2)
NH16146		NP1614B	NH1614L	NH1614C	NMK14V	JP1614	JP1614P	SSLL (2)	NPL1L (2)
	NI16146	NP1614B	NI1614L	NH1614C	NMK14V	JP1614	JP1614P	SSLL (2)	NPL1L (2)

## Diagrams

